



Total Solution Provider in Saw Device

SF-0710T1-C26

Band 17, RF-Tx SAW Filter
Revision 1: March 2014



- Electrical Characteristics
 - Package Dimensions
 - Testing Environment
 - Frequency Characteristics
-

SAWNICS Inc.

460 Cheonheung-ri, Seonggeo-eup, Cheonan-si, Chungcheongnam-do, 330-836 / Korea.
Tel: +82 41 550 9372 / Fax: +82 41 550 9399 / www.sawnics.com

□ Electrical Characteristics

Maximum Ratings

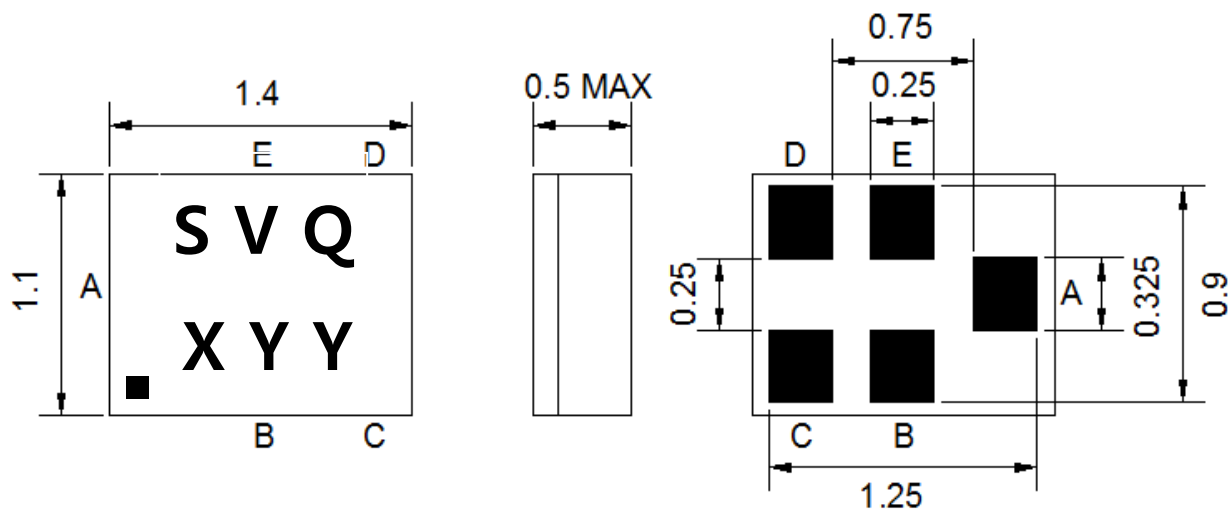
Parameters Description	Unit	Minimum	Typical	Maximum
Operating Temperature Range	°C	-30	-	+85
Storage Temperature Range	°C	-40	-	+85
Maximum DC Voltage	V	-	-	-
Maximum Input Power	dBm	-	-	15
Source Impedance (single ended)	Ω	-	50	-
Load Impedance (Single ended)	Ω	-	50	-
Package type & size	C26			
Length x Width	mm ²	-	1.4 x 1.1	-
Height	mm	-	-	0.5

Electrical Specification

Parameters Description	Unit	Minimum	Typical	Maximum
Center Frequency (Fo)	MHz	-	710.0	-
Insertion Loss within 704.0 ~ 716.0 MHz	dB	-	1.2	2.0
Amplitude Ripple within 704.0 ~ 716.0 MHz	dB _{p-p}	-	0.5	1.1
VSWR within 704.0 ~ 716.0 MHz		-	1.5	2.0
Attenuation:				
DC ~ 674.0 MHz	dB	45	55	-
674.0 ~ 686.0 MHz	dB	28	33	-
734.0 ~ 746.0 MHz	dB	28	32	-
869.0 ~ 1800.0 MHz	dB	35	50	-
1800.0 ~ 3000.0 MHz	dB	25	40	-
3000.0 ~ 4000.0 MHz	dB	17	32	-
4000.0 ~ 5000.0 MHz	dB	13	23	-
5000.0 ~ 6000.0 MHz	dB	5	15	-

Notes : (1) No Matching Network .

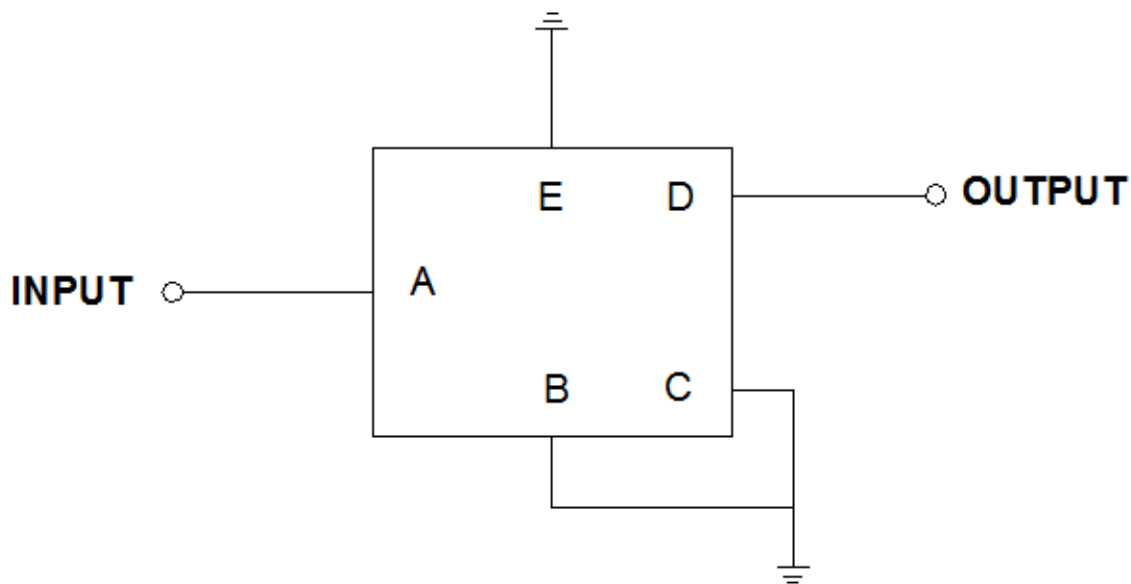
Package Dimensions



Marking Descriptions	
S	SAWNICS
VQ	Series Number
X	Date Code(Year+Month)
YY	Lot

Pin Description	
B, C, E	Ground
A	Input
D	Output

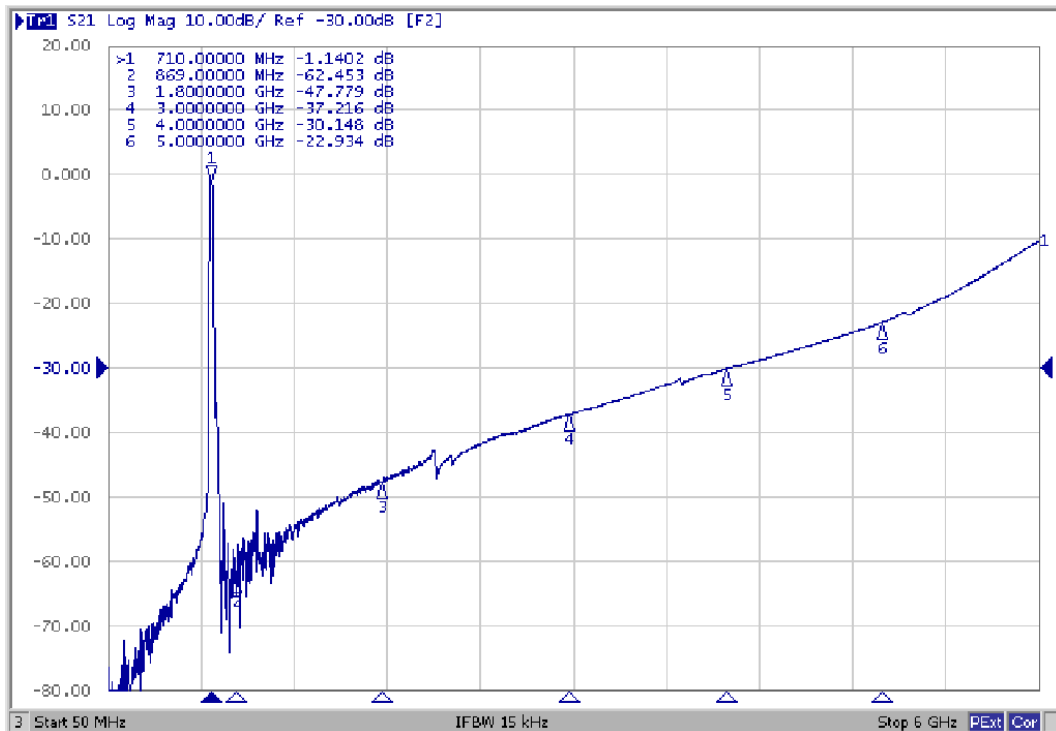
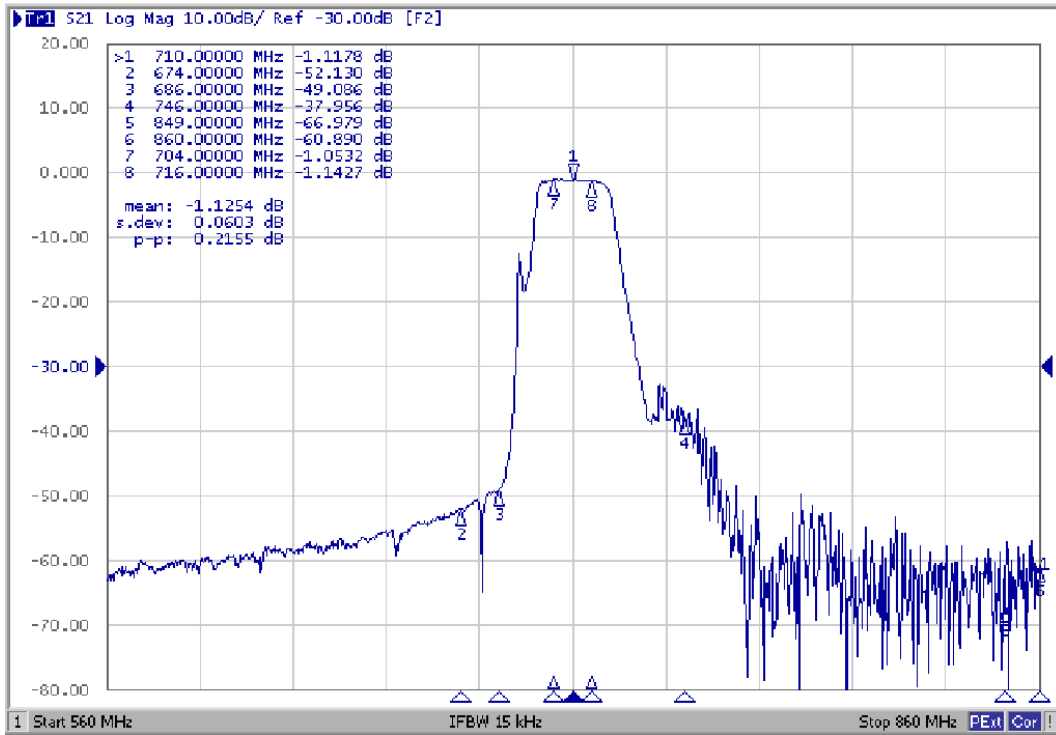
Testing Environment



Source & Load Impedance: 50 Ω

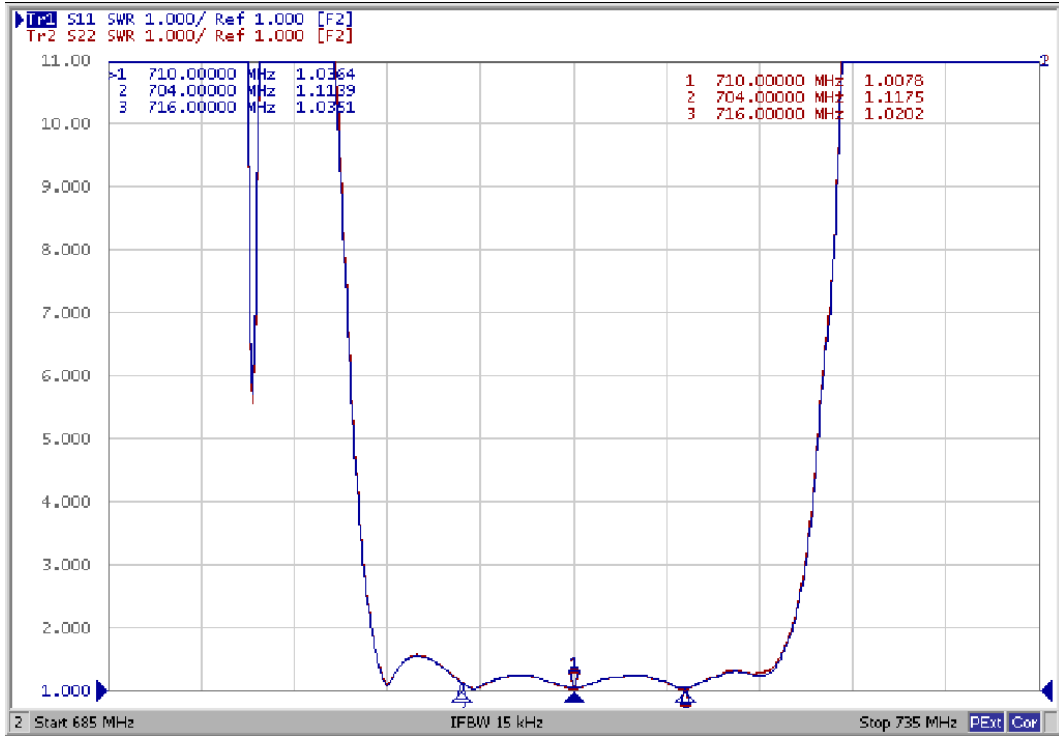
Frequency Characteristics

Frequency Response

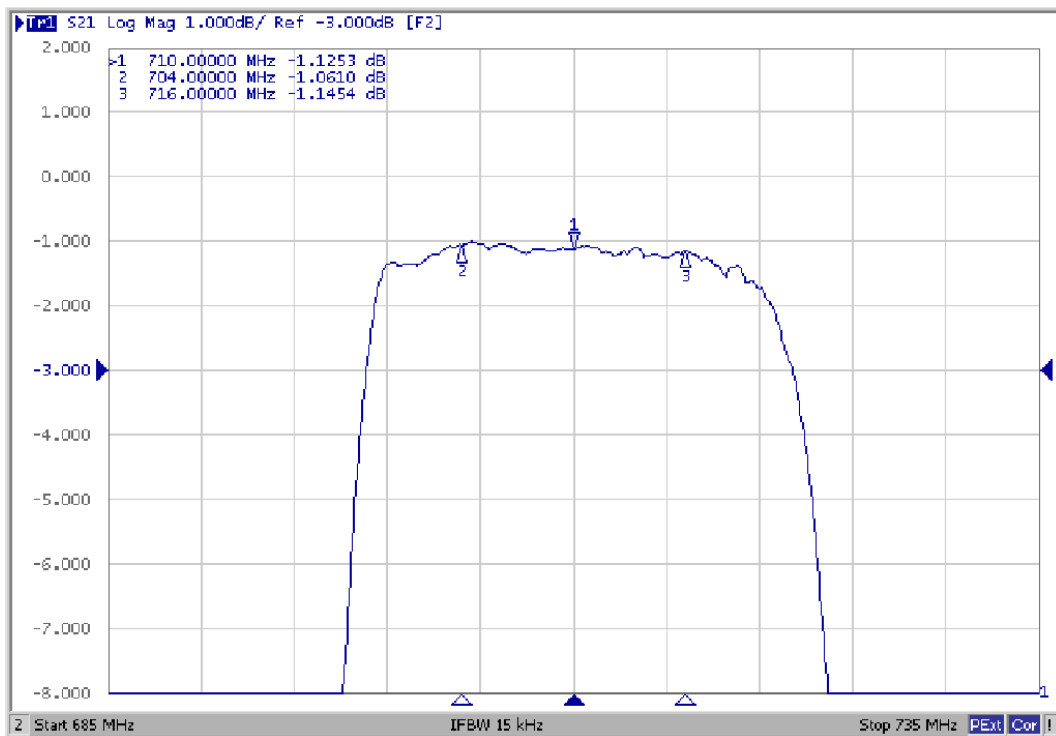




VSWR



Ripple



Smith Chart

