



Total Solution Provider in Saw Device

SF-0847T1-C26

Band 20, RF-Tx SAW Filter
Revision 0 : October 2013



- Electrical Characteristics
 - Package Dimensions
 - Testing Environment
 - Frequency Characteristics
-

SAWNICS Inc.

460 Cheonheung-ri, Seonggeo-eup, Cheonan-si, Chungcheongnam-do, 330-836 / Korea.
Tel: +82 41 550 9372 / Fax: +82 41 550 9399 / www.sawnics.com

□ Electrical Characteristics

Maximum Ratings

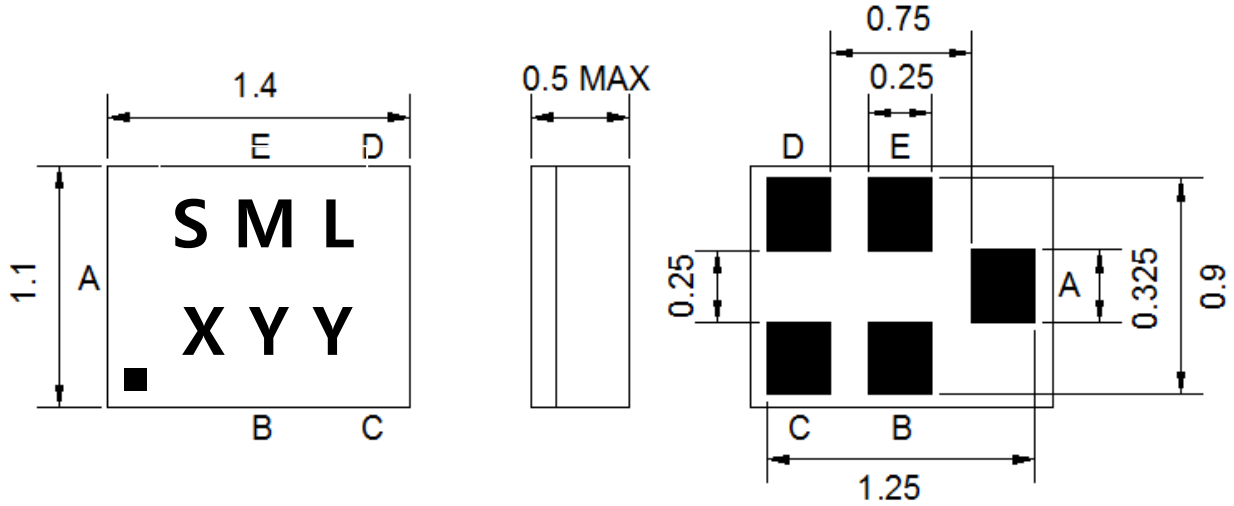
Parameters Description	Unit	Minimum	Typical	Maximum
Operating Temperature Range	°C	-30	-	+85
Storage Temperature Range	°C	-40	-	+85
Maximum DC Voltage	V	-	-	-
Maximum Input Power	dBm	-	-	10
Source Impedance (single ended)	Ω	-	50	-
Load Impedance (single ended)	Ω	-	50	-
Package type & size	C26			
Length x Width	mm ²	-	1.4 x 1.1	-
Height	mm	-	-	0.5

Electrical Specification

Parameters Description	Unit	Minimum	Typical	Maximum
Center Frequency (Fo)	MHz	-	847	-
Insertion Loss within 832.0 ~ 862.0 MHz	dB	-	1.7	2.3
Amplitude Ripple within 832.0 ~ 862.0 MHz	dB _{p-p}	-	0.7	1.3
VSWR within 832.0 ~ 862.0 MHz	-	-	2.0	2.3
Attenuation:				
0 ~ 791.0 MHz	dB	40	61	-
791.0 ~ 821.0 MHz	dB	40	52	-
925.0 ~ 960.0 MHz	dB	38	48	-
1570.0 ~ 1580.0 MHz	dB	35	57	-
1664.0 ~ 1724.0 MHz	dB	30	57	-
1805.0 ~ 1880.0 MHz	dB	30	55	-
2110.0 ~ 2170.0 MHz	dB	25	55	-
2400.0 ~ 2690.0 MHz	dB	25	45	-
3328.0 ~ 3448.0 MHz	dB	20	57	-
4160.0 ~ 4310.0 MHz	dB	20	41	-
5000.0 ~ 6000.0 MHz	dB	10	19	-

Notes : (1) No Matching Network .

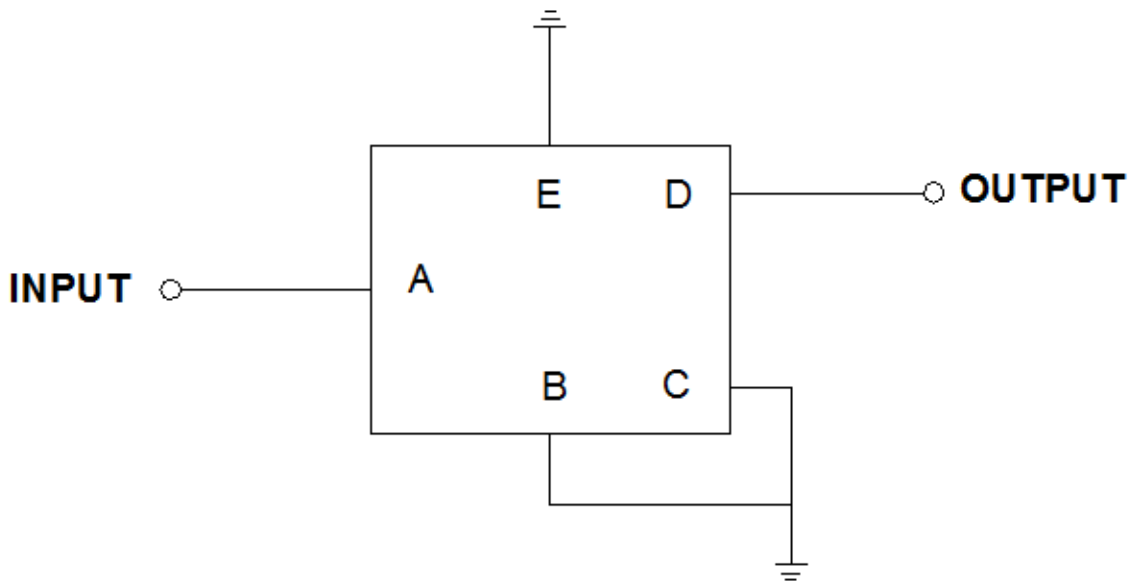
Package Dimensions



Marking Descriptions	
S	SAWNICS
ML	Series Number
X	Date Code(Year+Month)
YY	Lot No

Pin Description	
B, C, E	Ground
A	Input
D	Output

Testing Environment

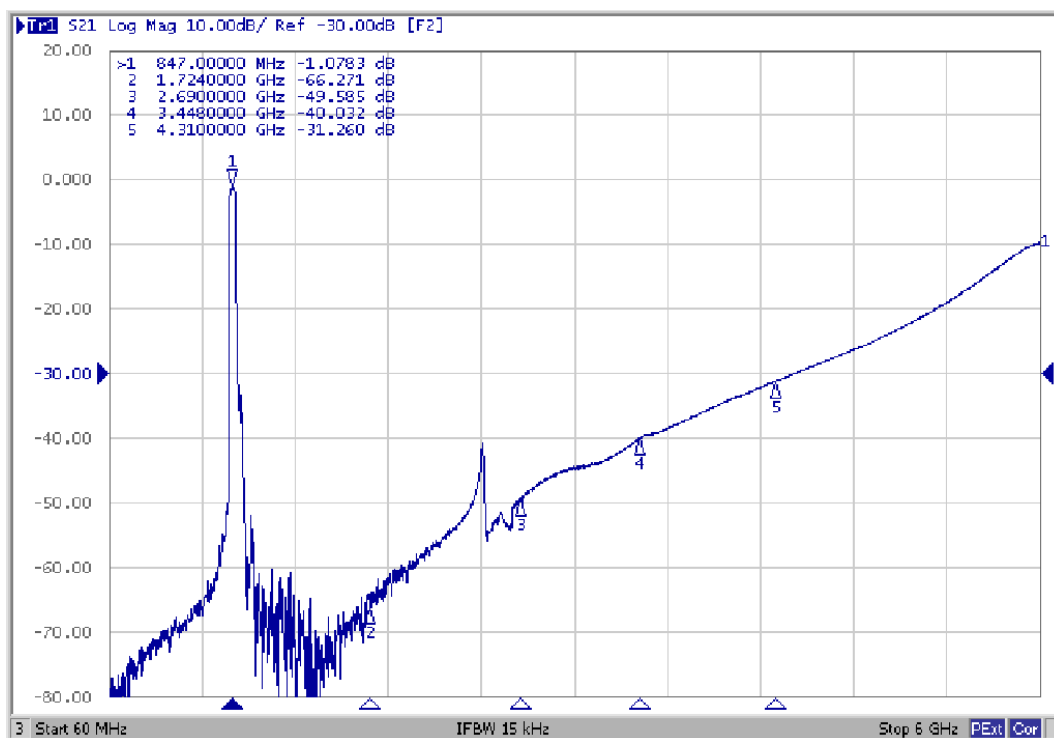
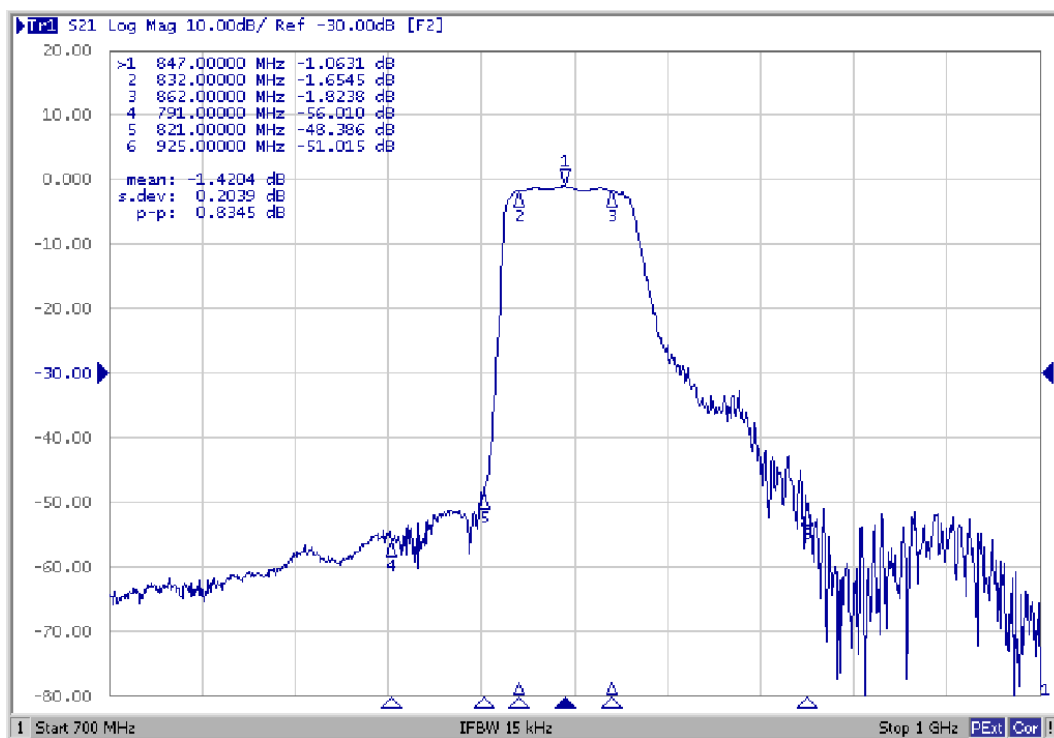


Source & Load Impedance: 50 Ω



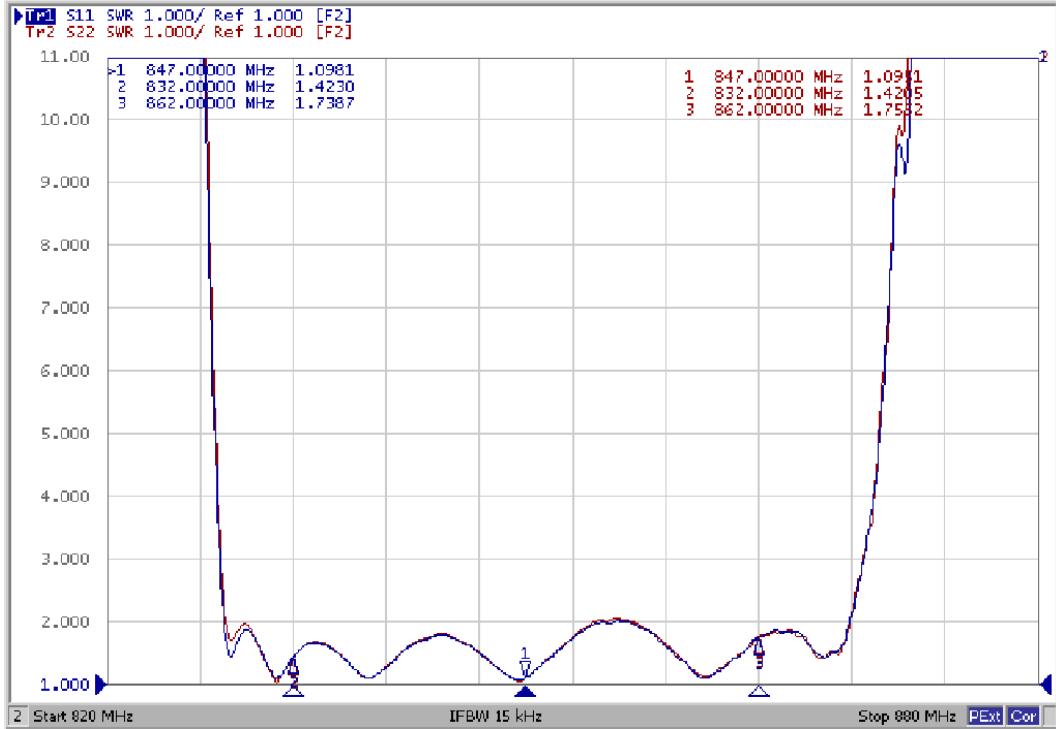
□ Frequency Characteristics

Frequency Response

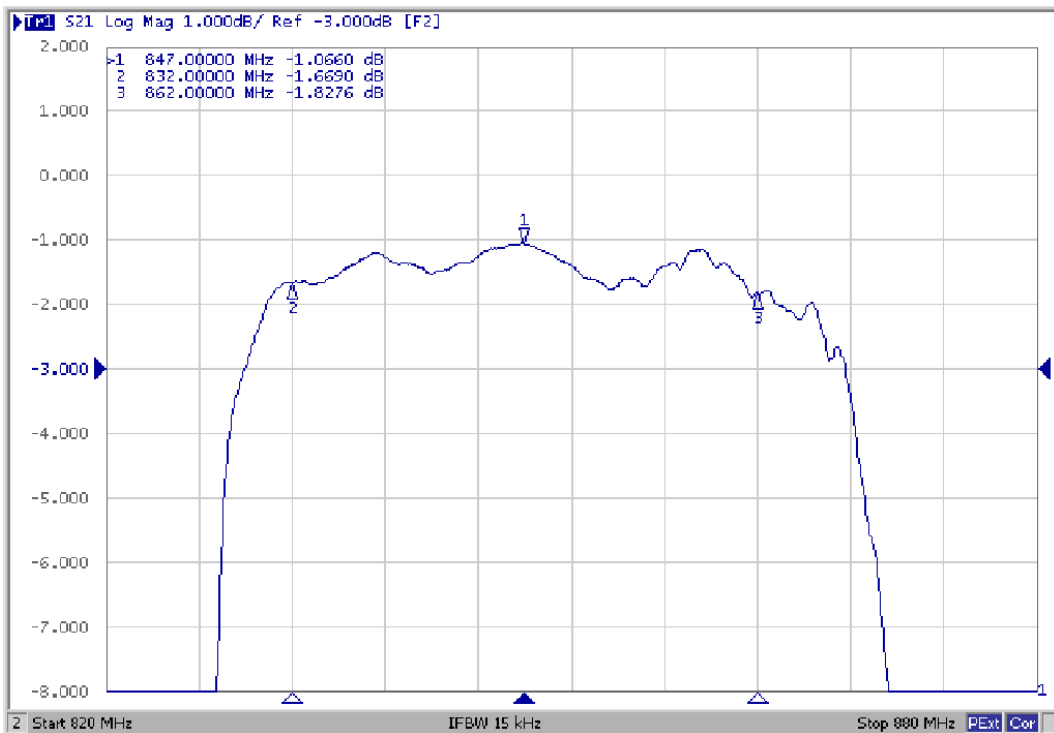




VSWR



Ripple



Smith Chart

