



Total Solution Provider in Saw Device

SF-0942T4-C13

Band 8, RF-Rx SAW Filter
Revision 0: August 2015



- Electrical Characteristics
 - Package Dimensions
 - Testing Environment
 - Frequency Characteristics
-

SAWNICS Inc.

460 Cheonheung-ri, Seonggeo-eup, Cheonan-si, Chungcheongnam-do, 330-836 / Korea.
Tel: +82 41 550 9372 / Fax: +82 41 550 9399 / www.sawnics.com



□ Electrical Characteristics

Maximum Ratings

Parameters Description	Unit	Minimum	Typical	Maximum
Operating Temperature Range	°C	-20	-	+85
Storage Temperature Range	°C	-40	-	+85
Maximum DC Voltage	V	-	-	-
Maximum Input Power	dBm	-	-	10
Source Impedance (single ended)	Ω	-	50	-
Load Impedance (single ended)	Ω	-	50	-
Package type & size	C13			
Length x Width	mm ²	-	1.1 x 0.9	-
Height	mm	-	-	0.5

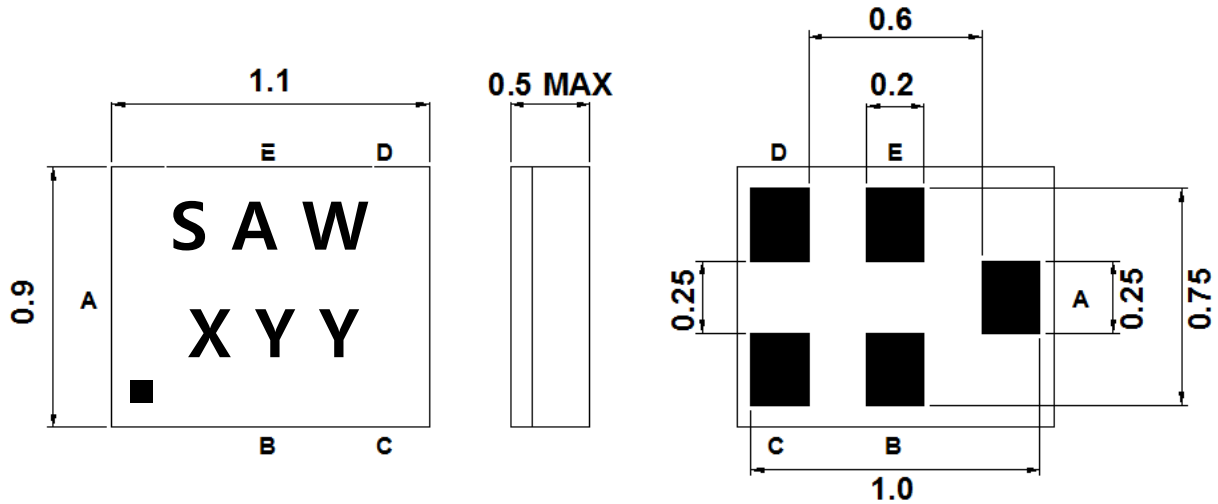


Electrical Specification

Parameters Description	Unit	Minimum	Typical	Maximum
Center Frequency (Fo)	MHz	-	942.5	-
Insertion Loss within 925.0 ~ 960.0 MHz	dB	-	2.0	3.0
Amplitude Ripple within 925.0 ~ 960.0 MHz	dB _{p-p}	-	1.3	2.3
Input VSWR within 925.0 ~ 960.0 MHz	-	-	1.9	2.3
Output VSWR within 925.0 ~ 960.0 MHz	-	-	2.0	2.3
Attenuation:				
880.0 ~ 915.0 MHz	dB	46	48	-
980.0 ~ 1558.0 MHz	dB	15	26	-
1559.0 ~ 1607.0 MHz	dB	40	51	-
1850.0 ~ 1920.0 MHz	dB	35	44	-
2400.0 ~ 2500.0 MHz	dB	30	38	-
2775.0 ~ 2880.0 MHz	dB	28	36	-
3700.0 ~ 3840.0 MHz	dB	25	32	-
4625.0 ~ 4800.0 MHz	dB	20	30	-
4900.0 ~ 5950.0 MHz	dB	18	27	-
5550.0 ~ 5725.0 MHz	dB	18	27	-
6475.0 ~ 6720.0 MHz	dB	15	25	-
7400.0 ~ 7680.0 MHz	dB	15	23	-

Notes : (1) No Matching Network .

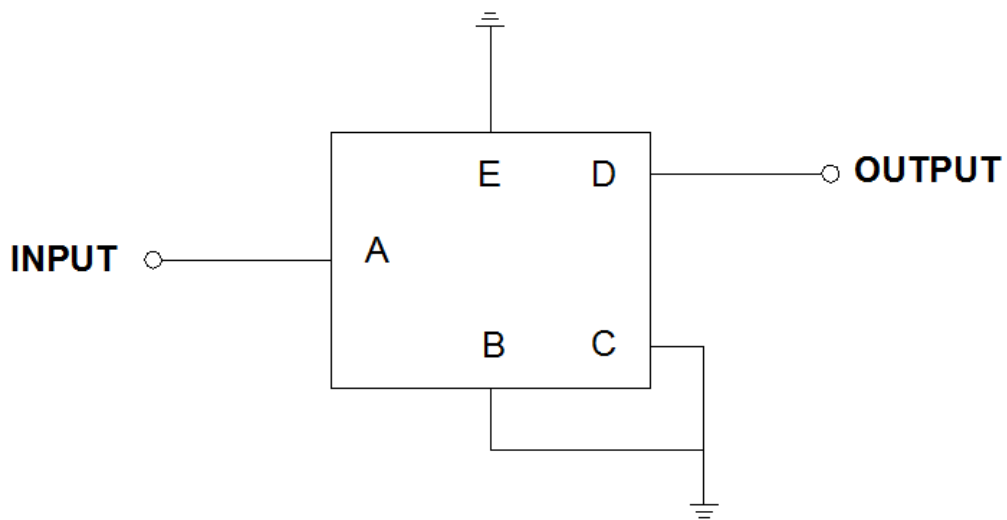
Package Dimensions



Marking Descriptions	
S	SAWNICS
AW	Series Number
X	Date Code(Year+Month)
YY	Lot No

Pin Description	
B, C, E	Ground
A	Input
D	Output

Testing Environment

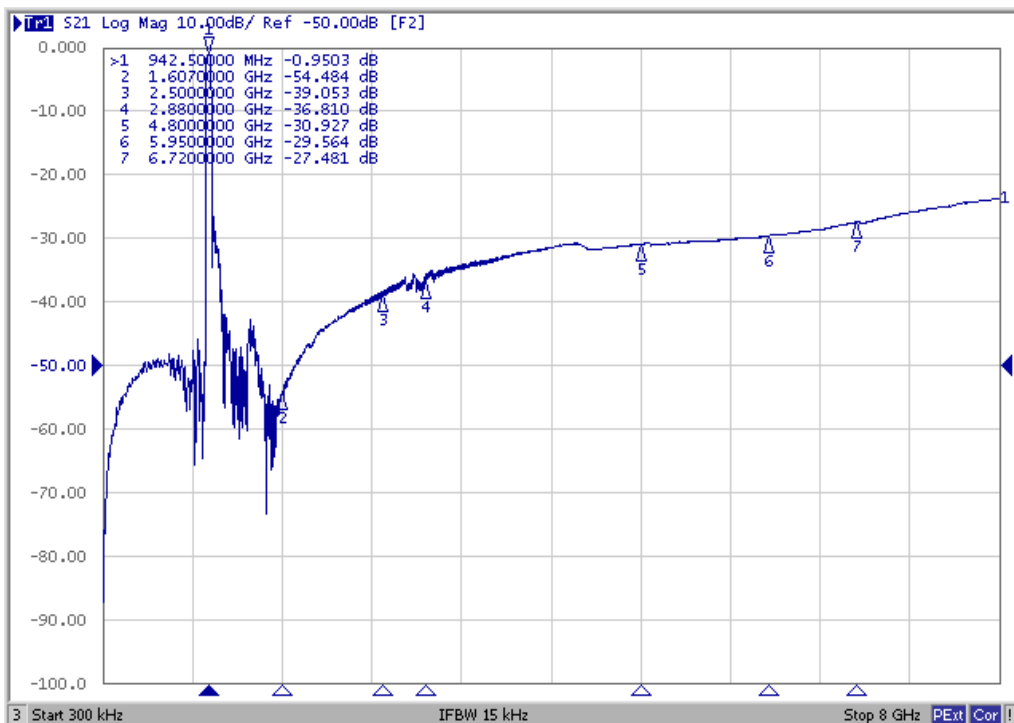
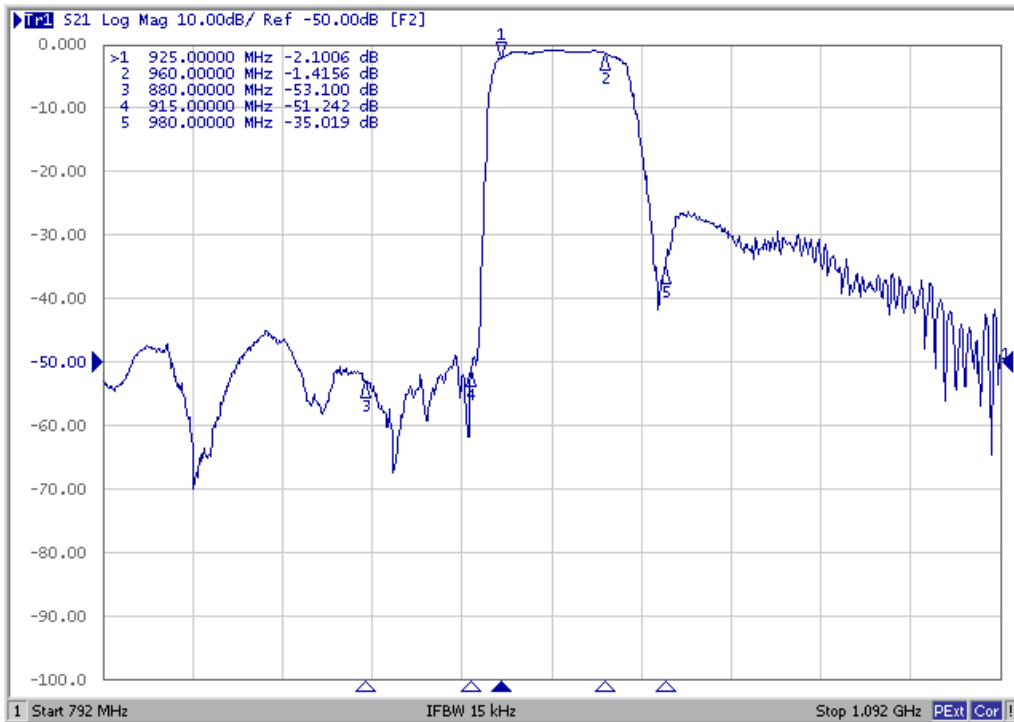


Source & Load Impedance: 50 Ω



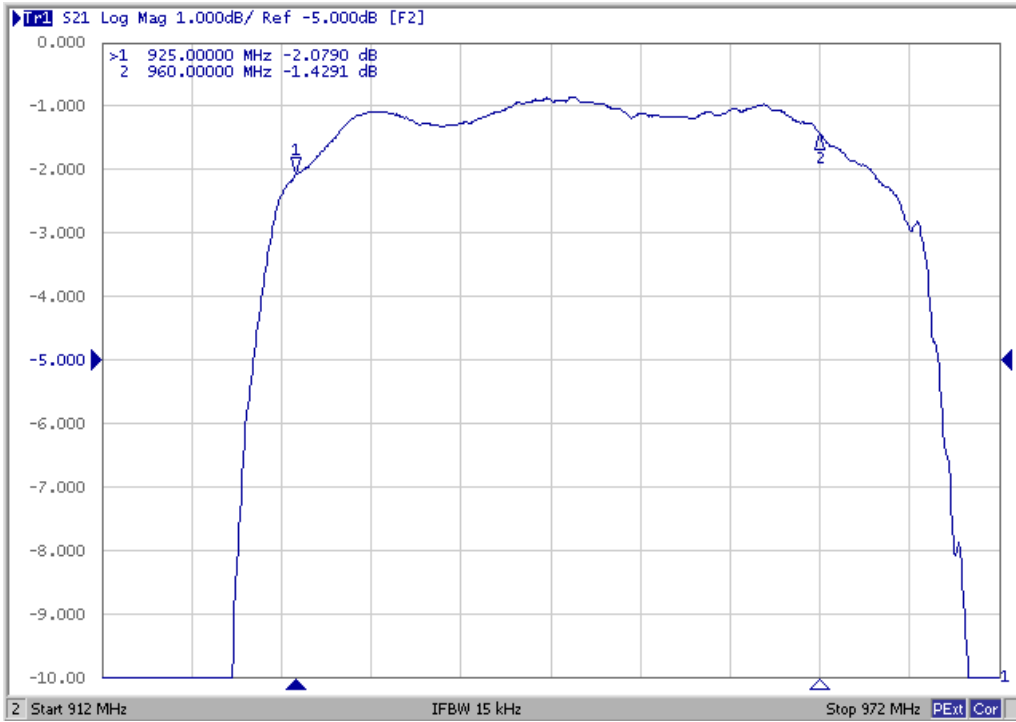
□ Frequency Characteristics

Frequency Response





Ripple



VSWR



Smith Chart

