



*Total Solution Provider in Saw Device*

---

# SF-1747T1-C26

Band 3, RF-Tx SAW Filter  
Revision 0 : May 2016



- Electrical Characteristics
  - Package Dimensions
  - Testing Environment
  - Frequency Characteristics
- 

**SAWNICS Inc.**

---

112 Seonggeo-Street, Seonggeo-eup, Seobuk-gu, Cheonan-si, Chungcheongnam-do, South Korea  
/ 31044Tel : +82-41-550-9372 / Fax : +82-41-622-9116 / [www.sawnics.com](http://www.sawnics.com)



## □ Electrical Characteristics

### Maximum Ratings

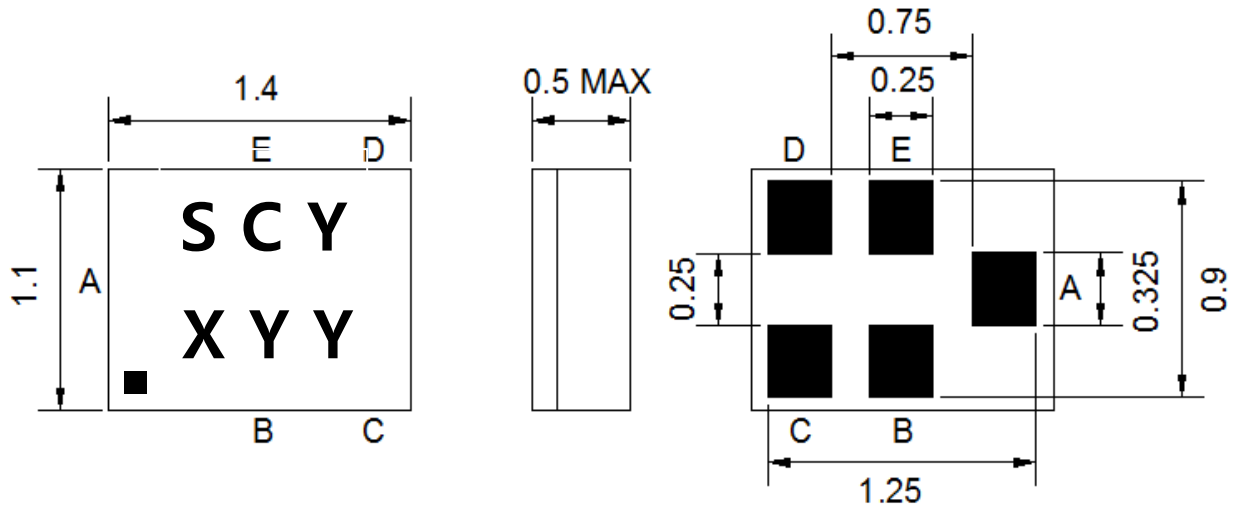
Parameters Description	Unit	Minimum	Typical	Maximum
Operating Temperature Range	°C	-30	-	+85
Storage Temperature Range	°C	-40	-	+85
Maximum DC Voltage	V	-	-	-
Maximum Input Power	dBm	-	-	15
Source Impedance (Unbalanced)	Ω	-	50//12nH	-
Load Impedance (Unbalanced)	Ω	-	50	-
Package type & size	C26			
Length x Width	mm <sup>2</sup>	-	1.4 x 1.1	-
Height	mm	-	-	0.5

### Electrical Specification

Parameters Description	Unit	Minimum	Typical	Maximum	Remarks
Center Frequency (Fo)	MHz	-	1747.5	-	-
Insertion Loss within 1710.0 ~ 1785.0 MHz	dB	-	2.5	2.9	+25 ± 2°C
	dB	-	-	3.6	-30 ~ +85°C
Amplitude Ripple within 1710.0 ~ 1785.0 MHz	dB <sub>p-p</sub>	-	1.3	2.2	-
VSWR(Input) within 1710.0 ~ 1785.0 MHz	-	-	2.3	2.8	-
VSWR(Output) within 1710.0 ~ 1785.0 MHz	-	-	2.5	3.0	-
<b>Attenuation:</b>					
DC ~ 1000.0 MHz	dB	35	45	-	-
1000.0 ~ 1600.0 MHz	dB	25	33	-	-
1600.0 ~ 1690.0 MHz	dB	6	9	-	-
1805.0 ~ 1880.0 MHz	dB	26	30	-	+25 ± 2°C
	dB	24	-	-	-20 ~ +85°C
	dB	20	-	-	-30 ~ +85°C
2000.0 ~ 2500.0 MHz	dB	30	36	-	
2500.0 ~ 3000.0 MHz	dB	25	32	-	
3000.0 ~ 4000.0 MHz	dB	20	27	-	
4000.0 ~ 6000.0 MHz	dB	15	21	-	

**Notes :** (1) With Matching Network .

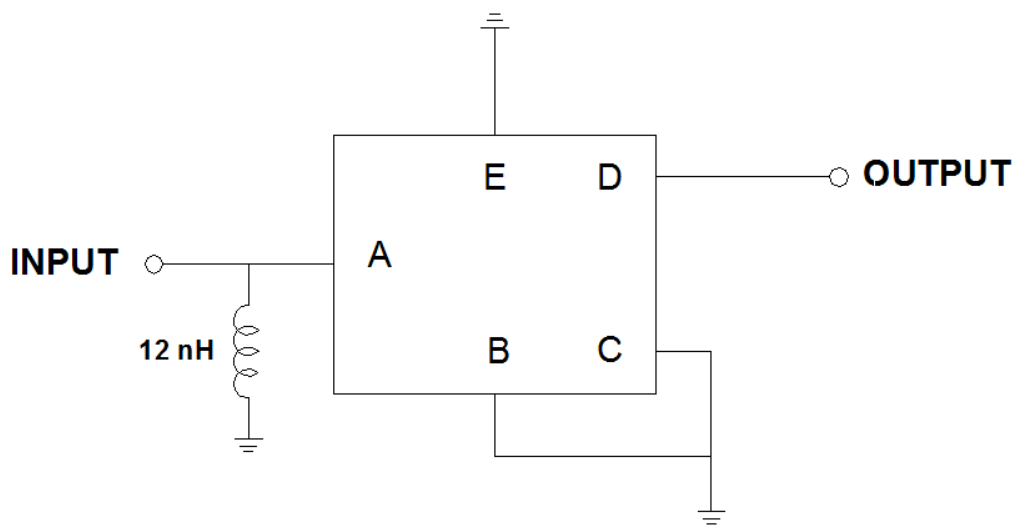
**Package Dimensions**



Marking Descriptions	
S	SAWNICS
CY	Series Number
X	Date Code(Year+Month)
YY	Lot No

Pin Description	
B, C, E	Ground
A	Input
D	Output

**Testing Environment**

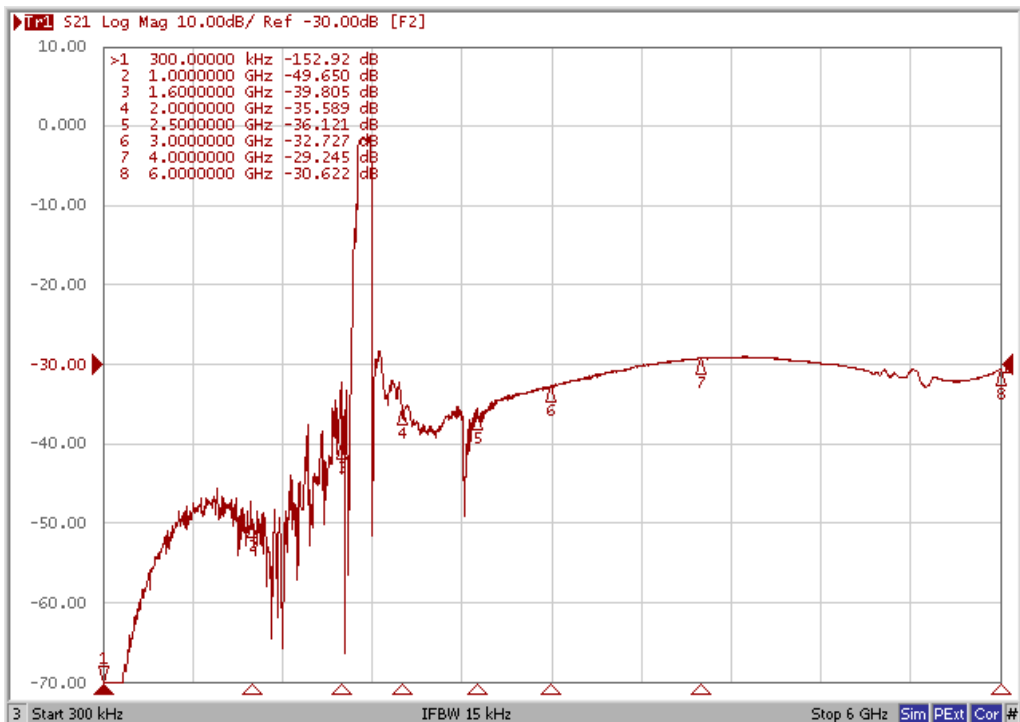
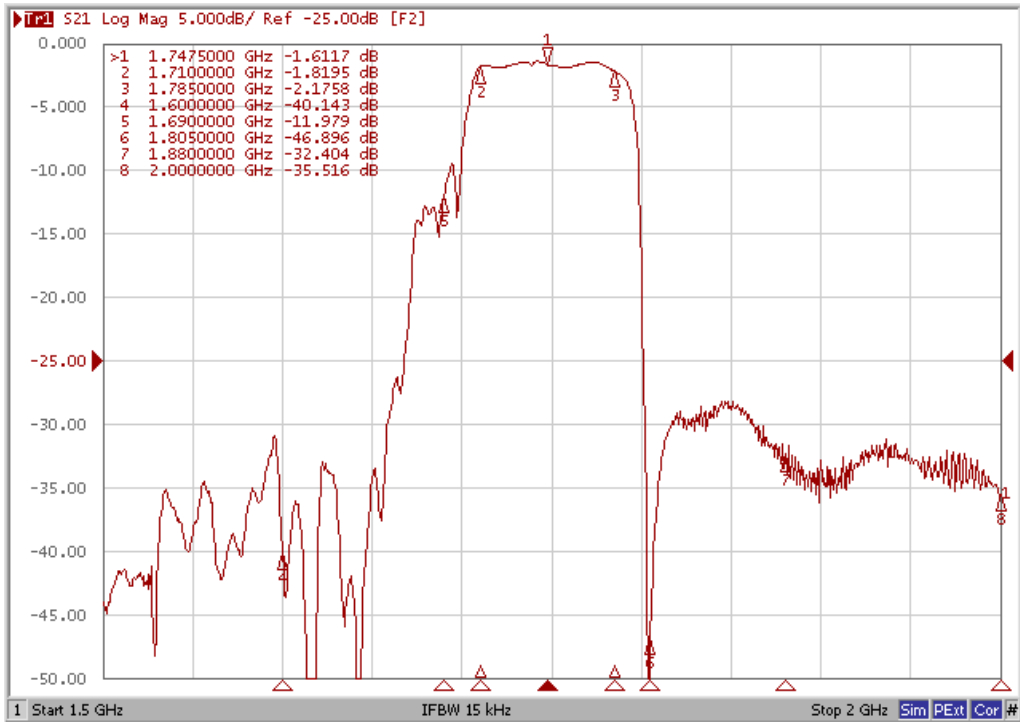


Source & Load Impedance: 50 Ω



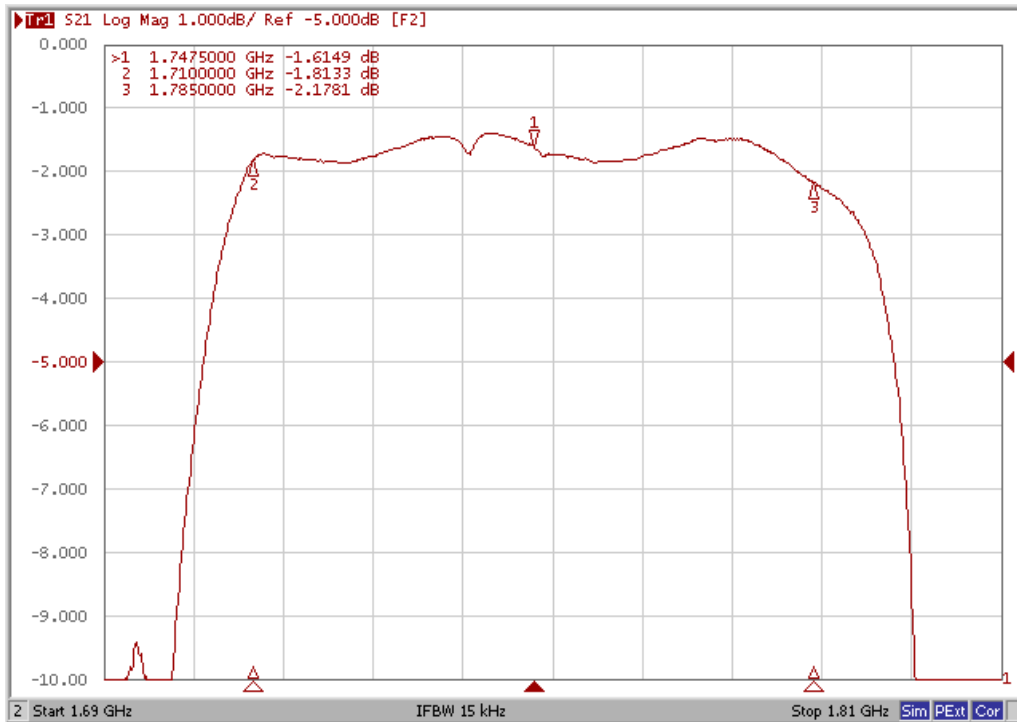
### □ Frequency Characteristics

Frequency Response

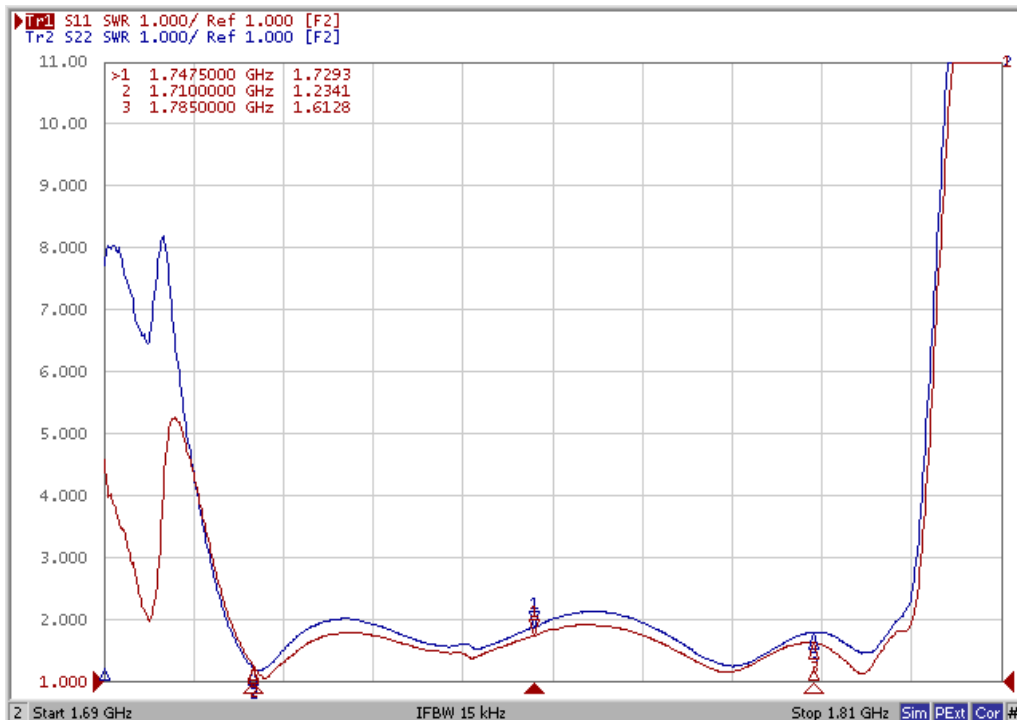




Ripple



VSWR



### Smith Chart

