



Total Solution Provider in Saw Device

SF-1960T2-C26

Band 2, RF-Rx SAW Filter
Revision 0 : February 2014



- Electrical Characteristics
 - Package Dimensions
 - Testing Environment
 - Frequency Characteristics
-

SAWNICS Inc.

460 Cheonheung-ri, Seonggeo-eup, Cheonan-si, Chungcheongnam-do, 330-836 / Korea.
Tel: +82 41 550 9372 / Fax: +82 41 550 9399 / www.sawnics.com

□ Electrical Characteristics

Maximum Ratings

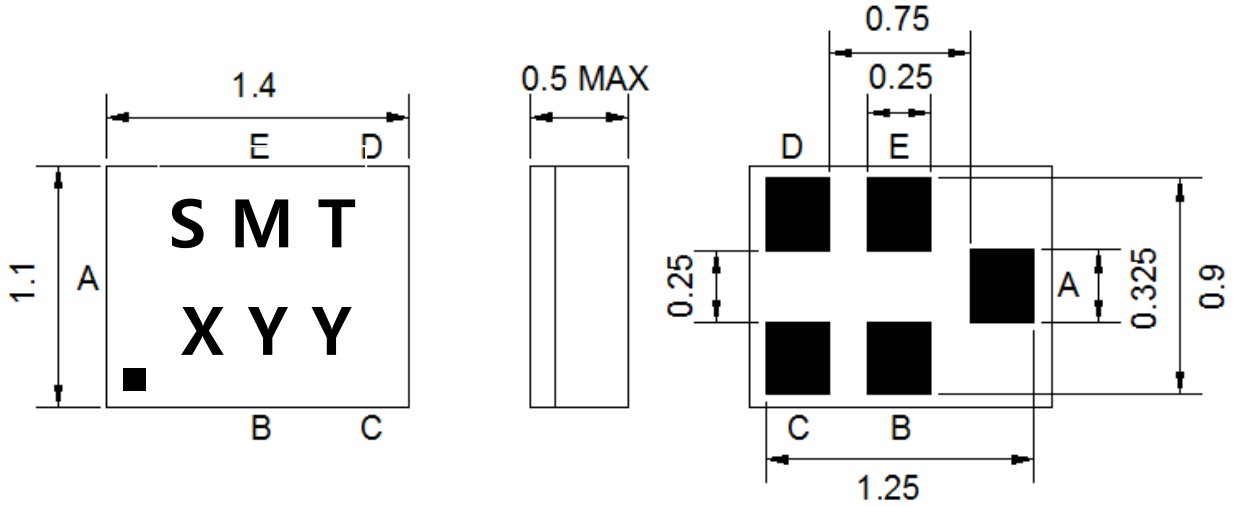
Parameters Description	Unit	Minimum	Typical	Maximum
Operating Temperature Range	°C	-30	-	+85
Storage Temperature Range	°C	-40	-	+85
Maximum DC Voltage	V	-	-	-
Maximum Input Power	dBm	-	-	10
Source Impedance (single ended)	Ω	-	50	-
Load Impedance (single ended)	Ω	-	50	-
Package type & size	C26			
Length x Width	mm ²	-	1.4 x 1.1	-
Height	mm	-	-	0.5

Electrical Specification

Parameters Description	Unit	Minimum	Typical	Maximum
Center Frequency (Fo)	MHz	-	1960	-
Insertion Loss within 1930.6 ~ 1989.4 MHz	dB	-	3.4	4.0
Insertion Loss within 1932.4 ~ 1987.6 MHz	dB	-	3.4	3.8
Amplitude Ripple within 1930.6 ~ 1989.4 MHz	dB _{p-p}	-	1.7	2.6
Amplitude Ripple within 1932.4 ~ 1987.6 MHz	dB _{p-p}	-	1.7	2.4
VSWR within 1930.6 ~ 1989.4 MHz	-	-	2.2	2.8
Attenuation:				
50 ~ 1850.6 MHz	dB	40	45	-
1850.6 ~ 1909.4 MHz	dB	40	43	-
1852.4 ~ 1907.6 MHz	dB	40	43	-
2040.0 ~ 2800.0 MHz	dB	35	45	-
2800.0 ~ 3400.0 MHz	dB	30	38	-
3400.0 ~ 6000.0 MHz	dB	25	33	-

Notes : (1) No Matching Network .

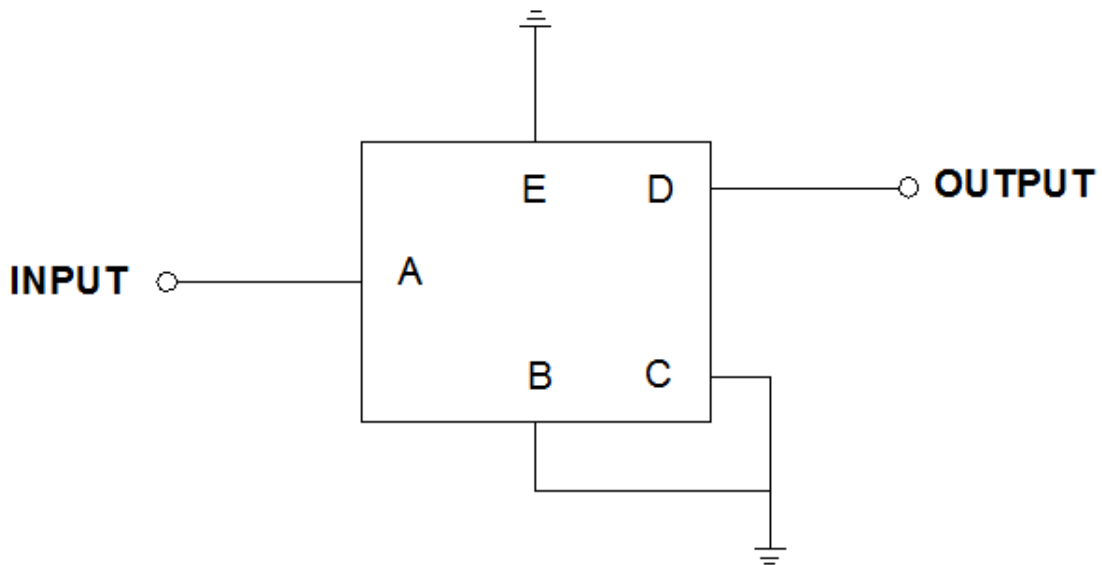
Package Dimensions



Marking Descriptions	
S	SAWNICS
MT	Series Number
X	Date Code(Year+Month)
YY	Lot No

Pin Description	
B, C, E	Ground
A	Input
D	Output

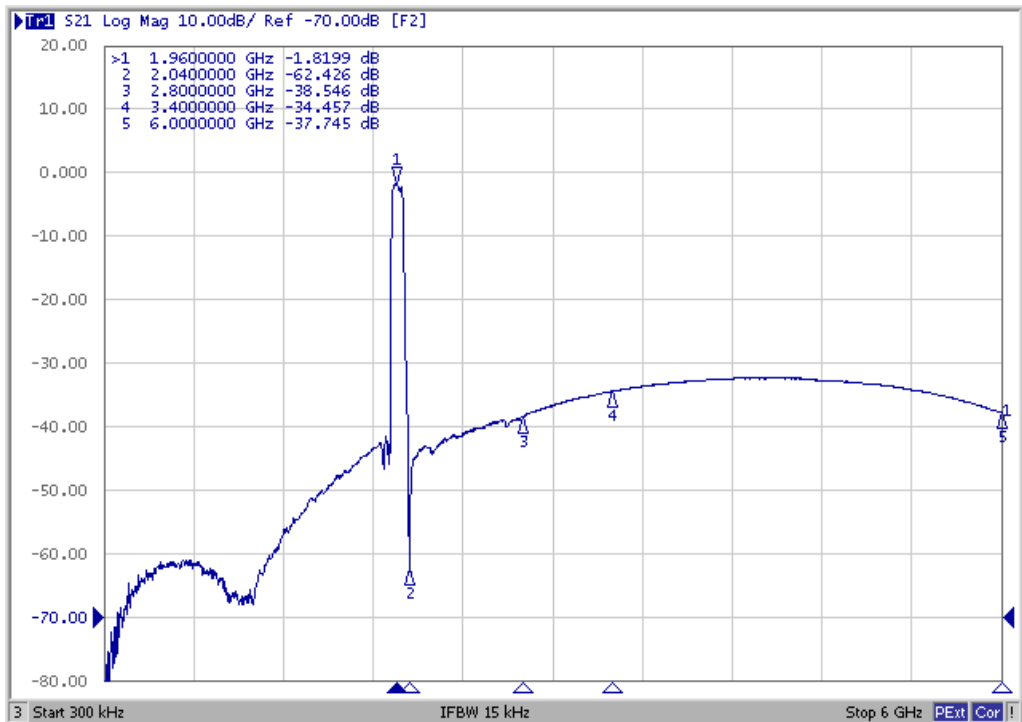
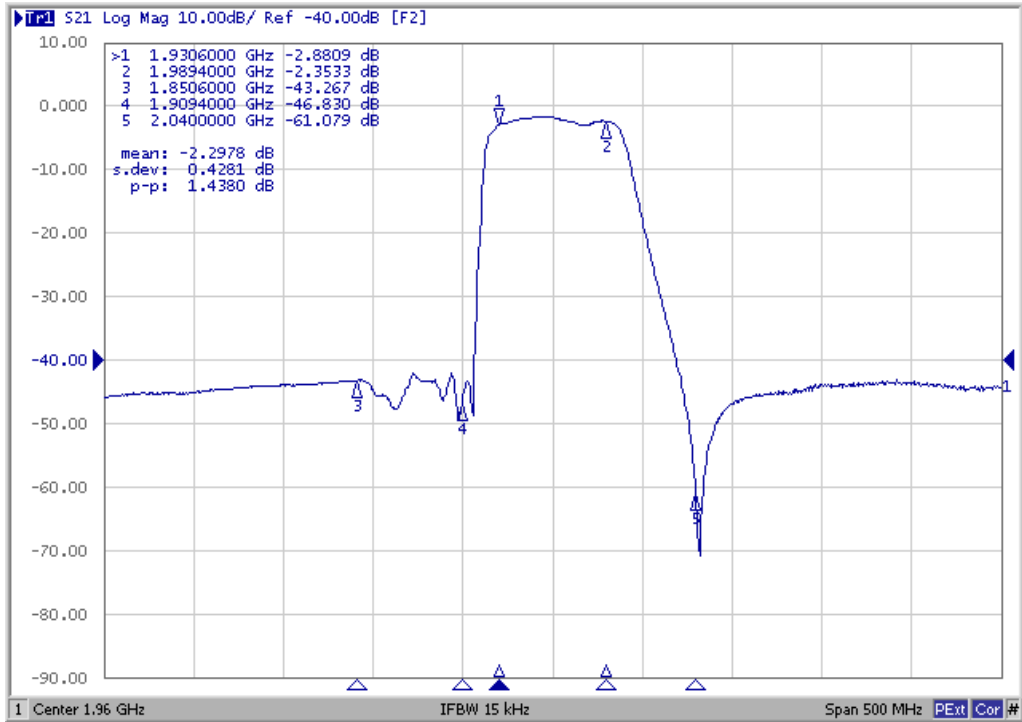
Testing Environment



Source & Load Impedance: 50 Ω

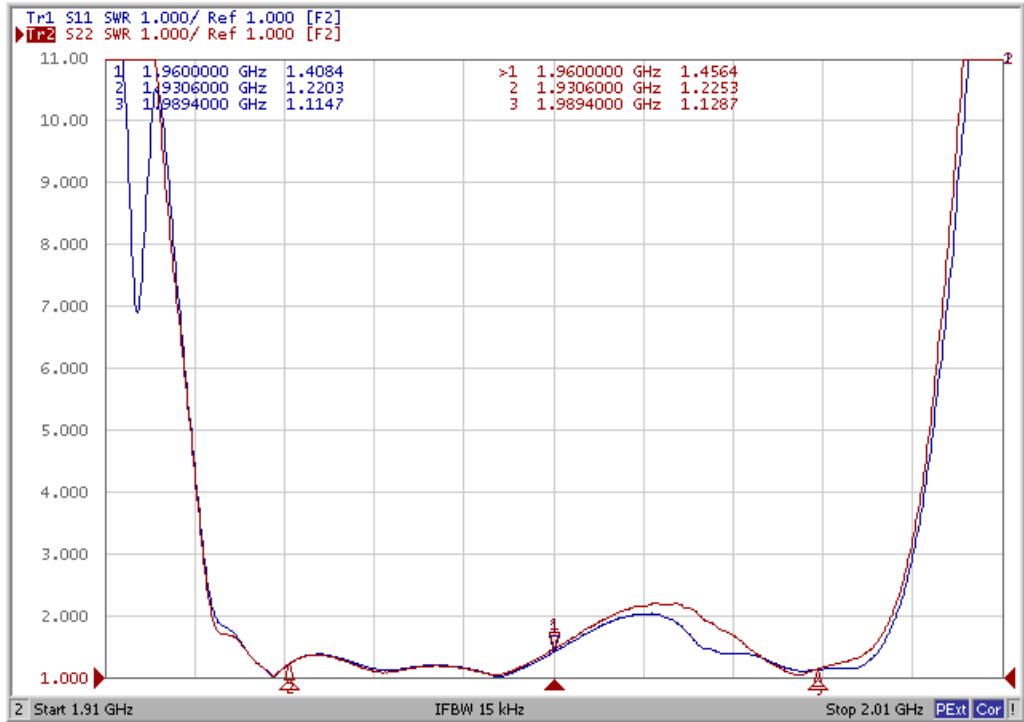
□ Frequency Characteristics

Frequency Response

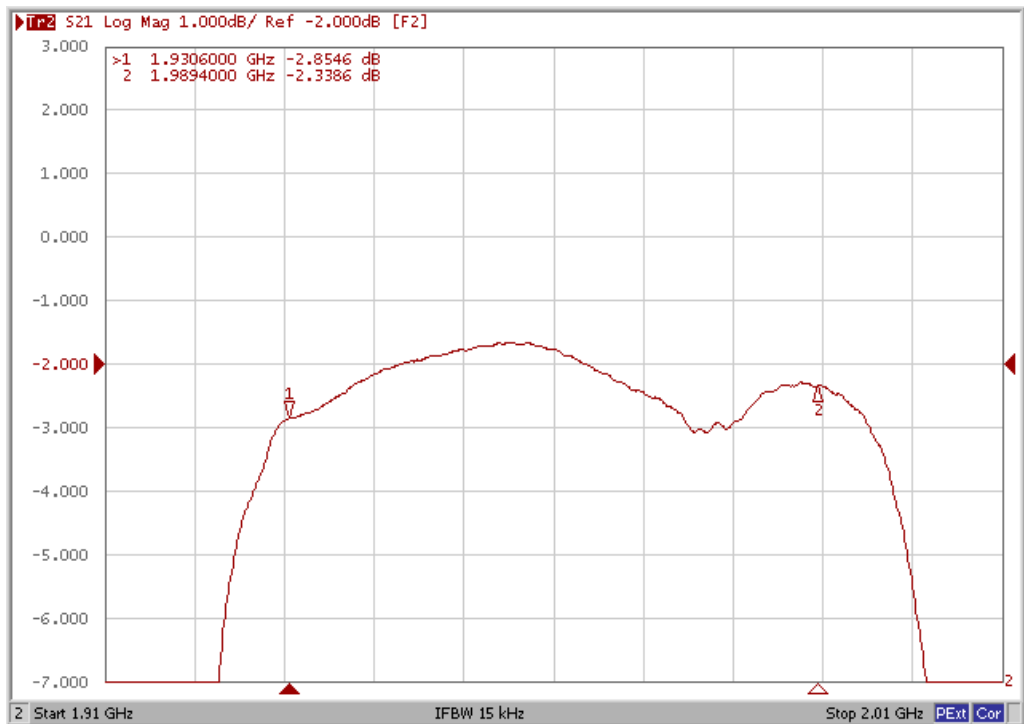




VSWR



Ripple





Smith Chart

