

Crystal Unit HC-49SMD

Features

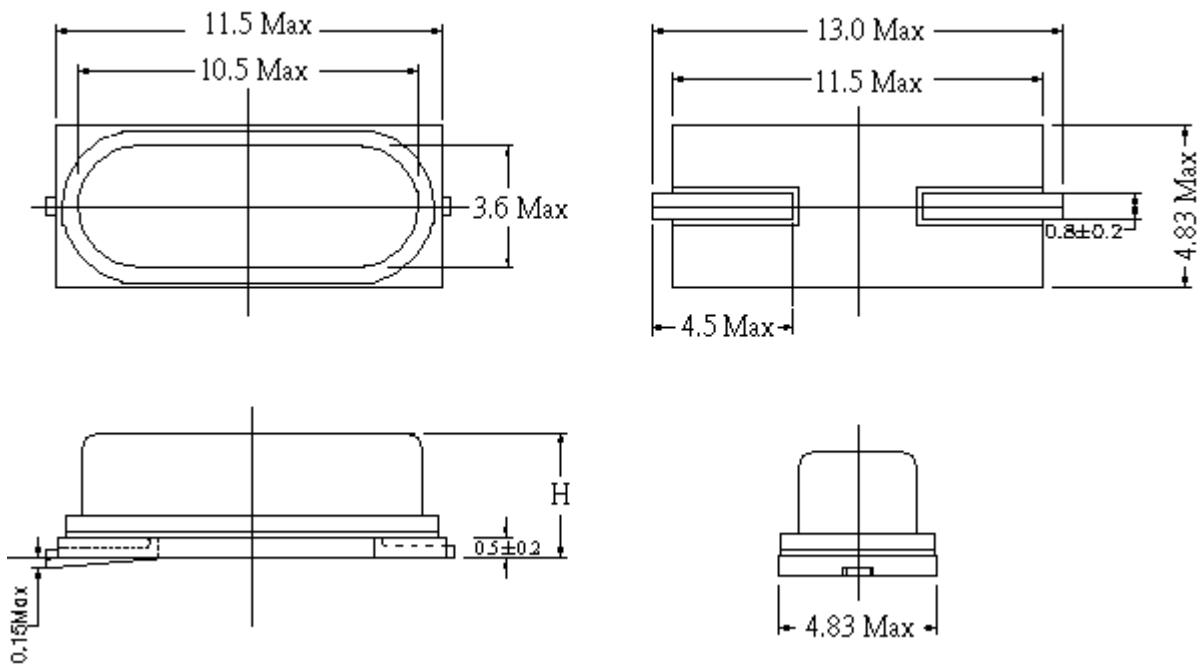
- Good performance (tight tolerance and stability available)
- Excellent heat resistance and environmental characteristics.

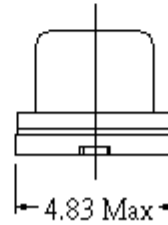
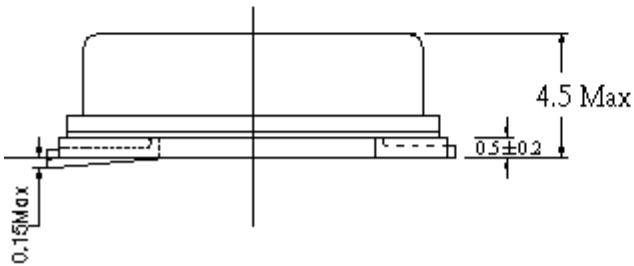
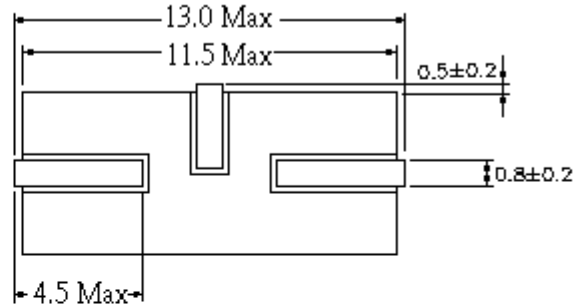
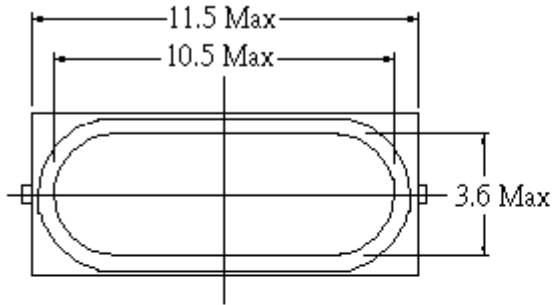
Specifications

HC49/U-SERIES	FUNDAMENTAL ; 3 RD OT	
Frequency	3.0 MHz – 150MHz	
Load capacitance (CL)	8 pF – 32 pF, series	
Frequency tolerance (@25°C)	±10 ppm ... ±50 ppm	
Frequency stability	±10 ppm ... ±50 ppm	
Operating temperature range	-40°C - +85°C	
ESR	40-150 Ω max.	
Dimension	Refer to Drawing	

- Please consult us for customized specifications.

Dimension





MODEL	H
HC-49SMD-4.5	4.5
HC-49SMD-3.2	3.2
HC-49SMD-2.5	2.5