

Metal Can Type MCF Filter HC-49 ; UM-1; UM5 ; UM4

Feature

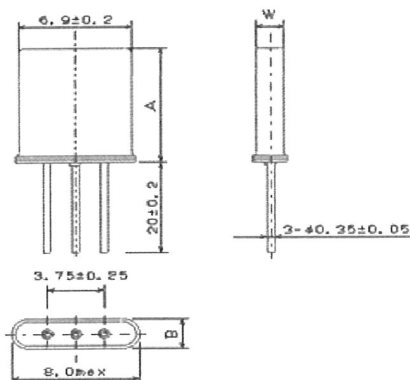
- Low impedance.
- Frequency range **8.0 ~ 150 MHz (fund ; 3rd OT)**
- Up to 8 Pole MCF possible (also one package type)

Specifications (example)

SIZE	VARIOUS
Nominal Frequency	8 ~150 MHz
Pass Bandwidth	3.0 dB: ±15.0 KHz min.
Attenuation Bandwidth	15.0 dB: ±60 KHz min.
Pass-band Ripple	1.0 max. dB
Insertion Attenuation	2.0 max. dB
Impedance	4000 (Ω) // -0.8 (pF)
Operating Temperature range	(-20~85°C)

Products with specific requirements are available upon request.

Dimensions



Code	Case	A	B	W
UM- a	UM- 1	8.0max	3.0± 0.2	2.2± 0.2
UM- b	UM- 1S	8.0max	2.5± 0.2	1.8± 0.2
UM- c	UM- 5	6.0max	3.0± 0.2	2.2± 0.2
UM- d	UM- 5S	6.0max	2.5± 0.2	1.8± 0.2
UM- e	UM- 4	4.5max	3.0± 0.2	2.2± 0.2
UM- f	UM- 4S	4.5max	2.5± 0.2	1.8± 0.2