



Total Solution Provider in Saw Device

SF-0881T4-C13

Band 5, RF-Rx SAW Filter
Revision 0: December 2013



- Electrical Characteristics
 - Package Dimensions
 - Testing Environment
 - Frequency Characteristics
-

SAWNICS Inc.

460 Cheonheung-ri, Seonggeo-eup, Cheonan-si, Chungcheongnam-do, 330-836 / Korea.
Tel: +82 41 550 9372 / Fax: +82 41 550 9399 / www.sawnics.com

□ Electrical Characteristics

Maximum Ratings

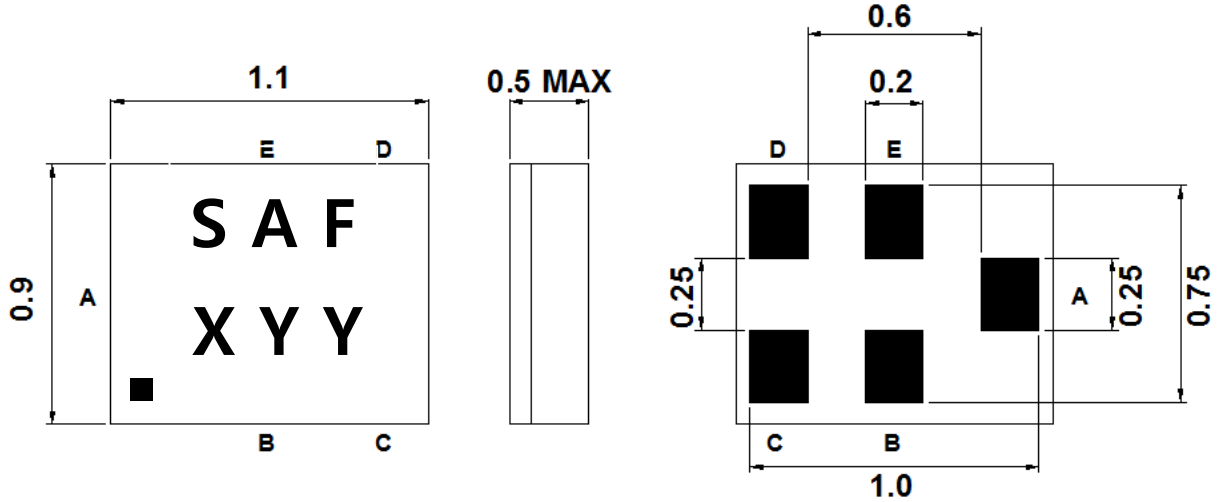
Parameters Description	Unit	Minimum	Typical	Maximum
Operating Temperature Range	°C	-30	-	+85
Storage Temperature Range	°C	-40	-	+85
Maximum DC Voltage	V	-	-	-
Maximum Input Power	dBm	-	-	10
Source Impedance (single ended)	Ω	-	50	-
Load Impedance (Single ended)	Ω	-	50	-
Package type & size	C13			
Length x Width	mm ²	-	1.1 x 0.9	-
Height	mm	-	-	0.5

Electrical Specification

Parameters Description	Unit	Minimum	Typical	Maximum
Center Frequency (Fo)	MHz	-	881.5	-
Insertion Loss within 869.0 ~ 894.0 MHz	dB	-	1.6	2.3
Amplitude Ripple within 869.0 ~ 894.0 MHz	dB _{p-p}	-	0.4	1.3
VSWR within 869.0 ~ 894.0 MHz		-	1.6	2.0
Attenuation:				
DC ~ 824.0 MHz	dB	40	51	-
824.0 ~ 849.0 MHz	dB	40	46	-
914.0 ~ 970.0 MHz	dB	25	35	-
970.0 ~ 1049.0 MHz	dB	38	52	-
1049.0 ~ 2000.0 MHz	dB	33	43	-
2000.0 ~ 3000.0 MHz	dB	25	39	-
3000.0 ~ 6000.0 MHz	dB	20	36	-

Notes : (1) No Matching Network .

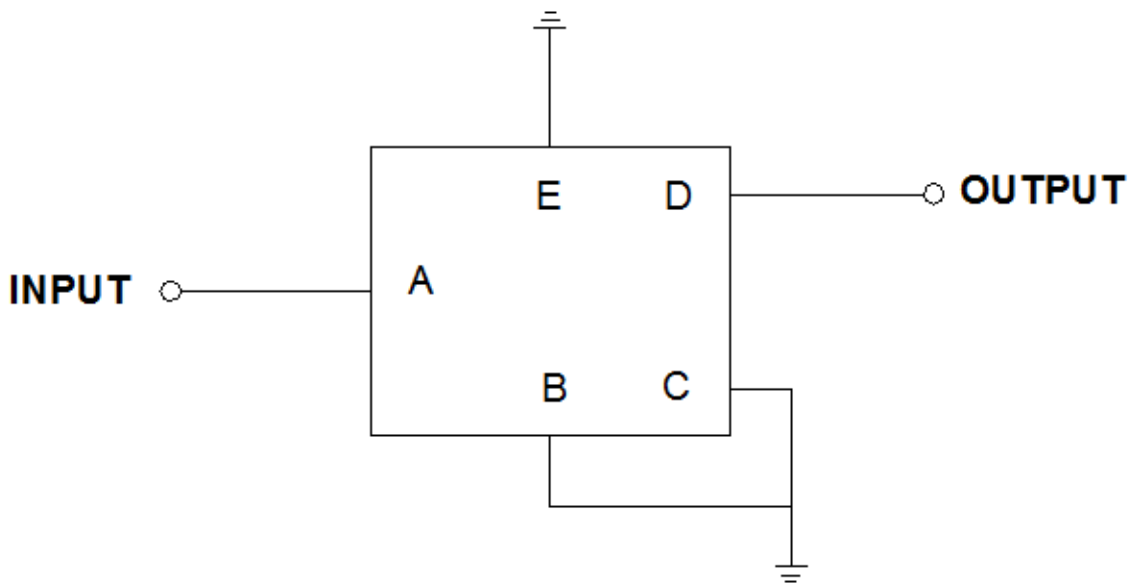
Package Dimensions



Marking Descriptions	
S	SAWNICS
AF	Series Number
X	Date Code(Year+Month)
YY	Lot No

Pin Description	
B, C, E	Ground
A	Input
D	Output

Testing Environment

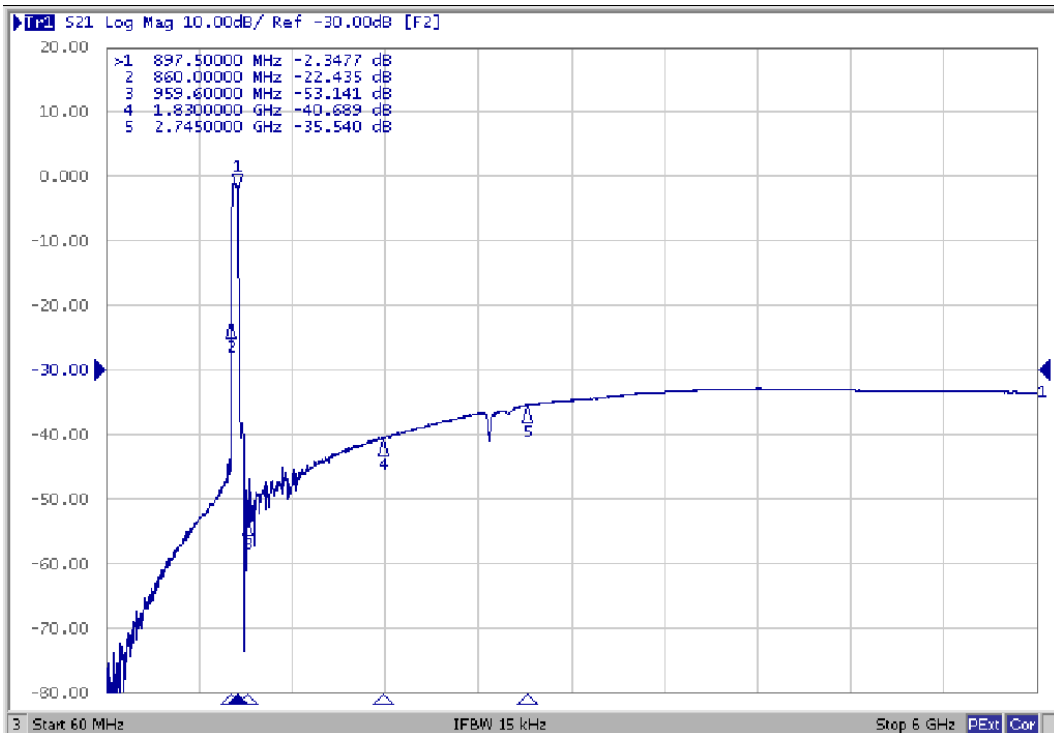
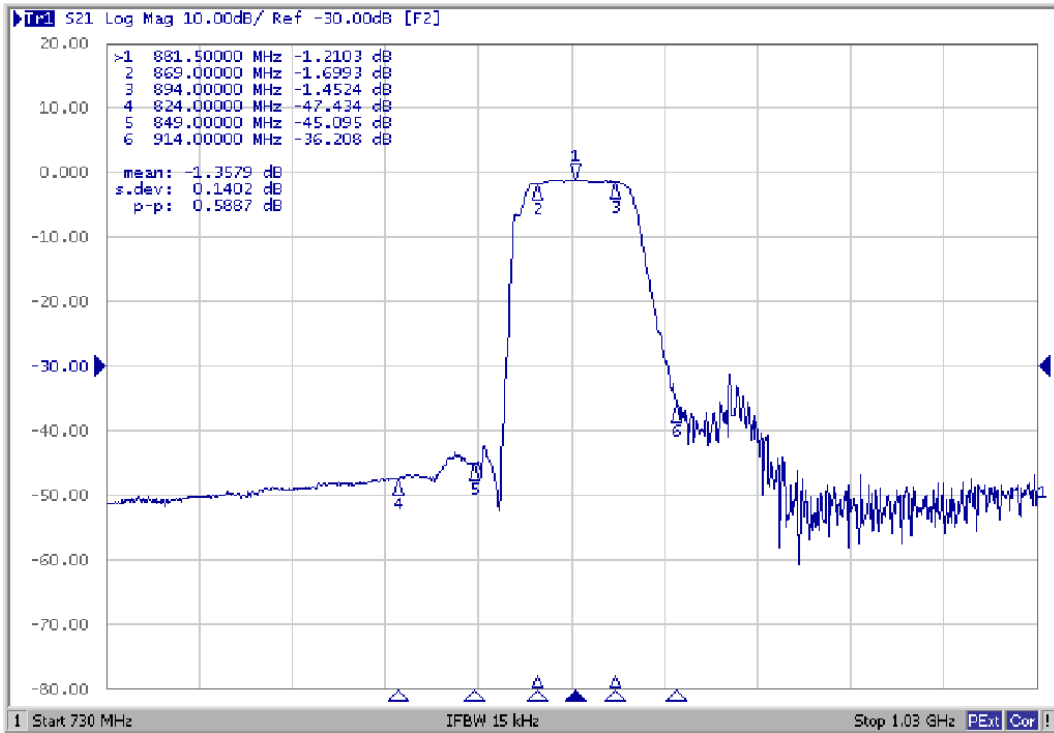


Source & Load Impedance: 50 Ω



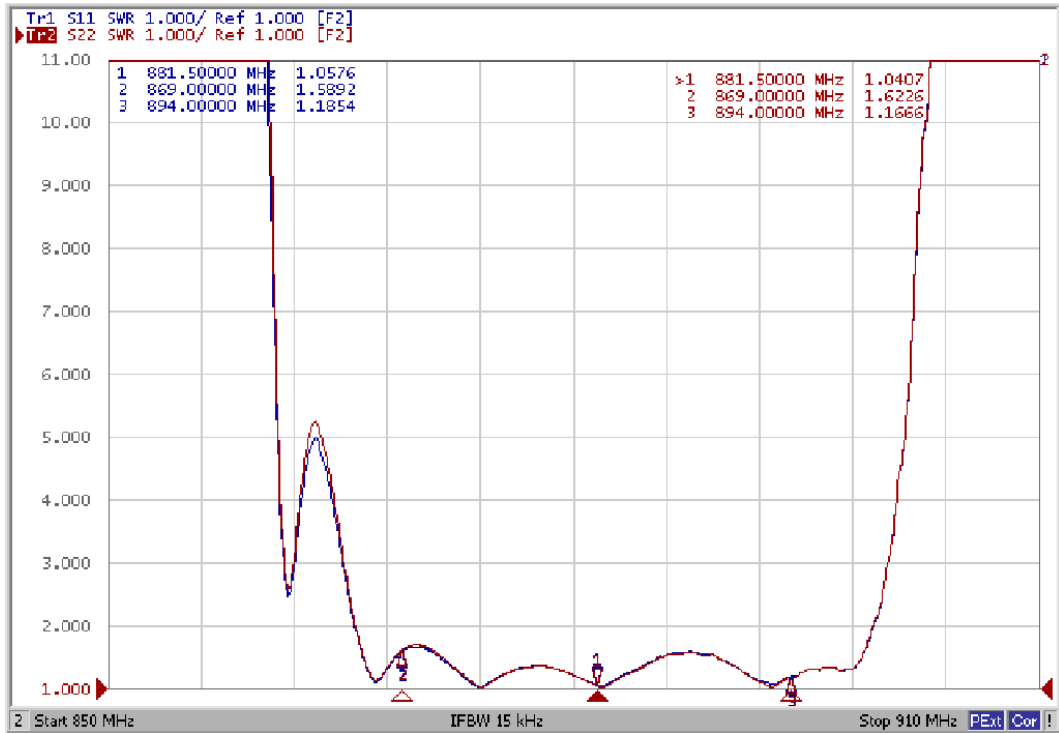
□ Frequency Characteristics

Frequency Response

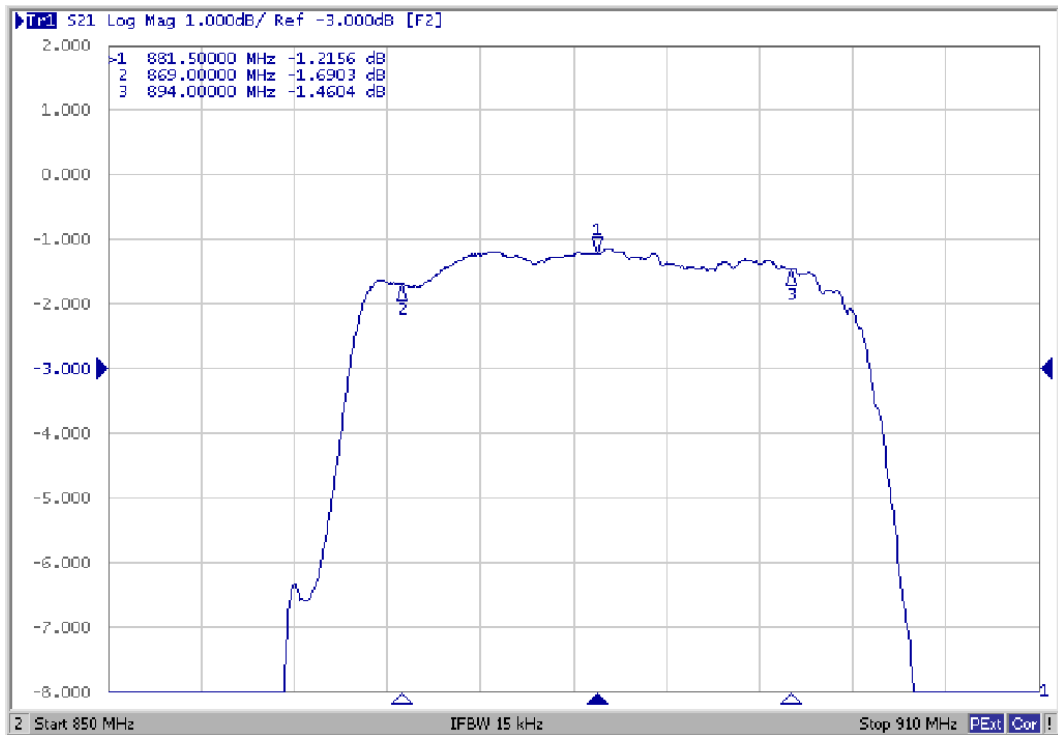




VSWR



Ripple



Smith Chart

