



Total Solution Provider in Saw Device

SF-1747T2-C13

Band 3, RF-Tx SAW Filter
Revision 0: May 2016



- Electrical Characteristics
 - Package Dimensions
 - Testing Environment
 - Frequency Characteristics
-

SAWNICS Inc.

112 Seonggeo-Street, Seonggeo-eup, Seobuk-gu, Cheonan-si, Chungcheongnam-do, South Korea
/ 31044Tel : +82-41-550-9372 / Fax : +82-41-622-9116 / www.sawnics.com



Electrical Characteristics

Maximum Ratings

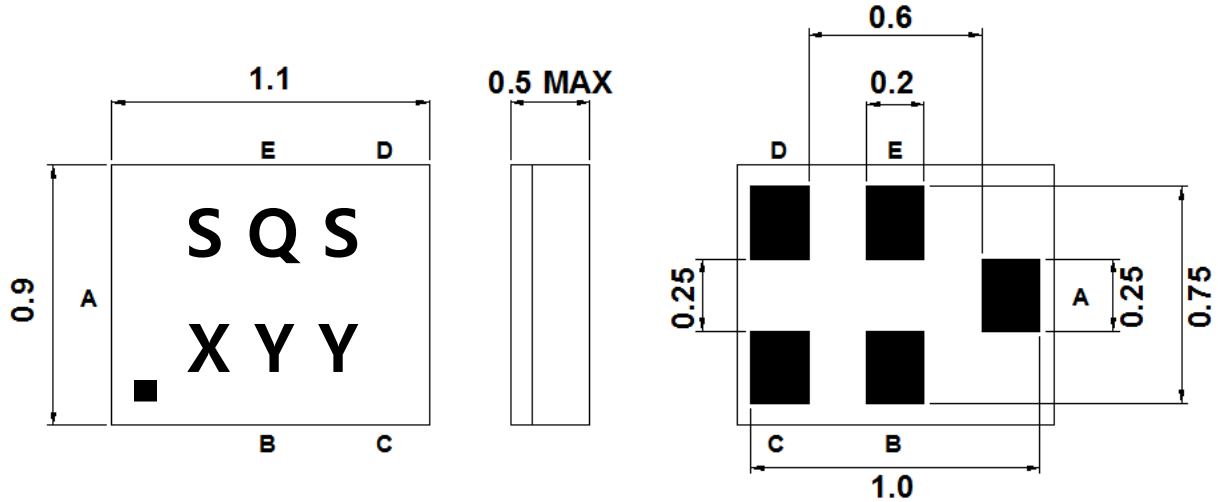
Parameters Description	Unit	Minimum	Typical	Maximum
Operating Temperature Range	°C	-30	-	+85
Storage Temperature Range	°C	-40	-	+85
Maximum DC Voltage	V	-	-	-
Maximum Input Power	-	-	-	15
Source Impedance (Unbalanced)	Ω	-	50//7.5nH	-
Load Impedance (Unbalanced)	Ω	-	50//6.8nH	-
Package type & size	C13			
Length x Width	mm ²	-	1.1 x 0.9	-
Height	mm	-	-	0.5

Electrical Specification

Parameters Description	Unit	Minimum	Typical	Maximum	Remarks
Center Frequency (Fo)	MHz	-	1747.5	-	-
Insertion Loss within 1710.0 ~ 1785.0 MHz	dB	-	2.1	2.4	at 25°C
		-	-	3.0	-
Amplitude Ripple within 1710.0 ~ 1785.0 MHz	dB _{p-p}	-	1.0	1.5	at 25°C
		-	-	2.0	-
VSWR(Input) within 1710.0 ~ 1785.0 MHz	-	-	1.8	2.2	-
VSWR(Output) within 1710.0 ~ 1785.0 MHz	-	-	1.8	2.2	-
Attenuation:					
DC ~ 1570.0 MHz	dB	25	36	-	-
1570.0 ~ 1580.0 MHz	dB	35	41	-	-
1805.0 ~ 1880.0 MHz	dB	15	22	-	at 25°C
	dB	10	-	-	-
1930.0 ~ 2400.0 MHz	dB	25	34	-	-
2400.0 ~ 3000.0 MHz	dB	15	32	-	-
3000.0 ~ 4000.0 MHz	dB	10	27	-	-
4000.0 ~ 6000.0 MHz	dB	5	21	-	-

Notes : (1) With Matching Network.

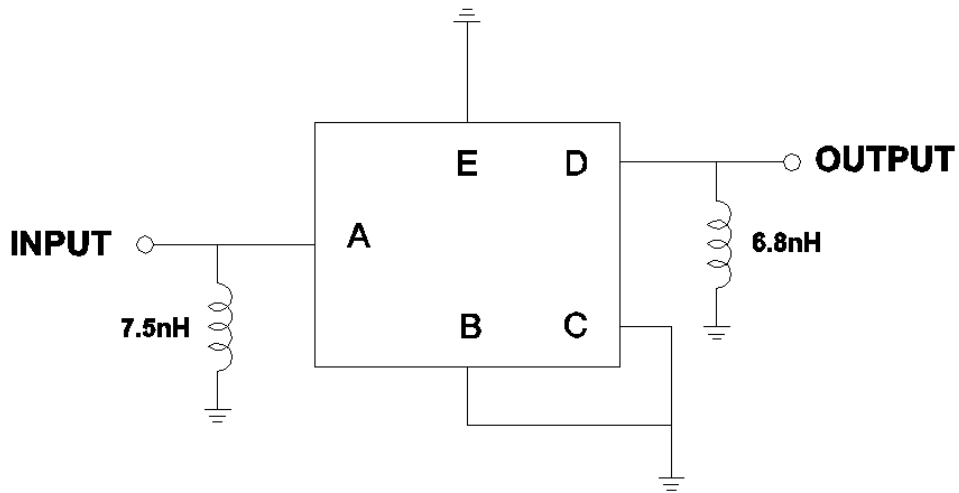
Package Dimensions



Marking Descriptions	
S	SAWNICS
QS	Series Number
X	Date Code(Year+Month)
YY	Lot No

Pin Description	
B, C, E	Ground
A	Input
D	Output

Testing Environment

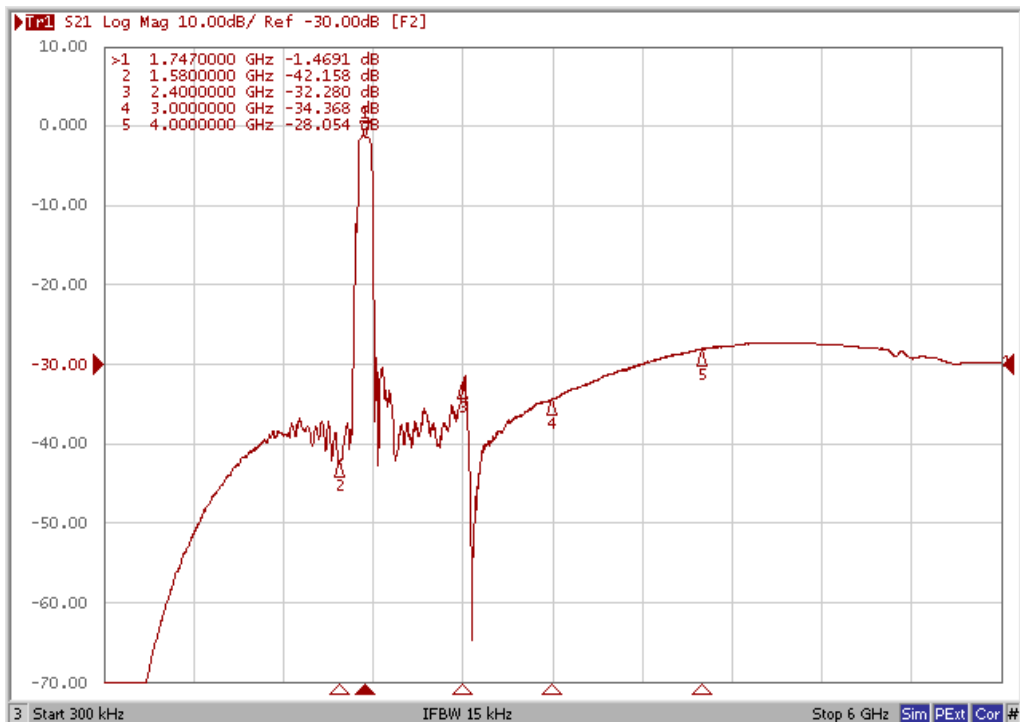
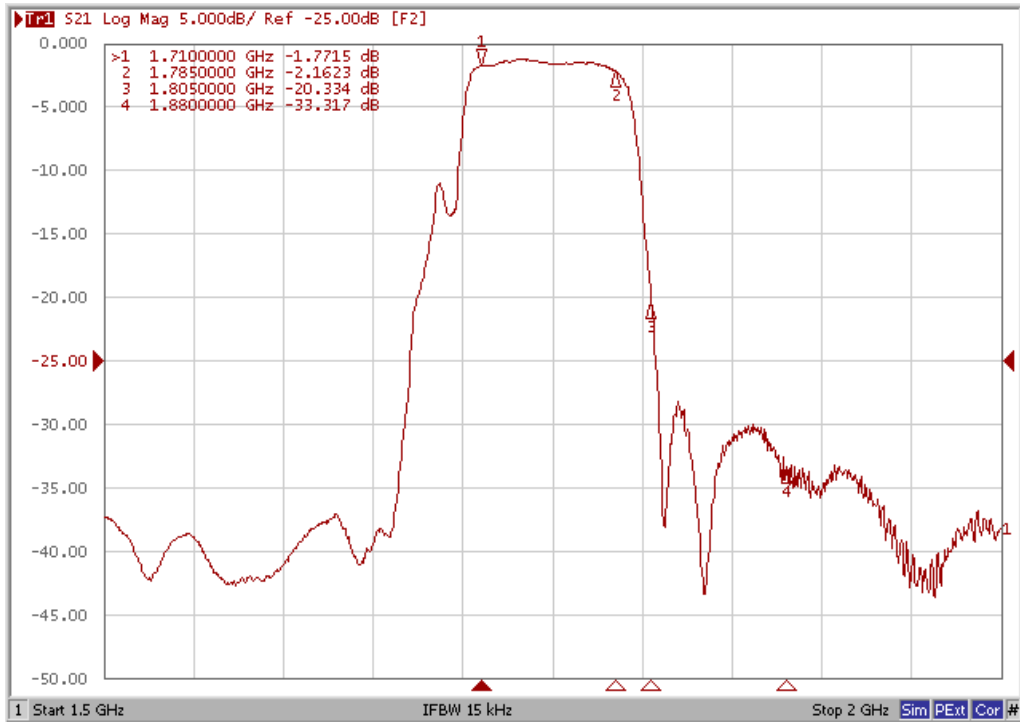


Source & Load Impedance: 50 Ω



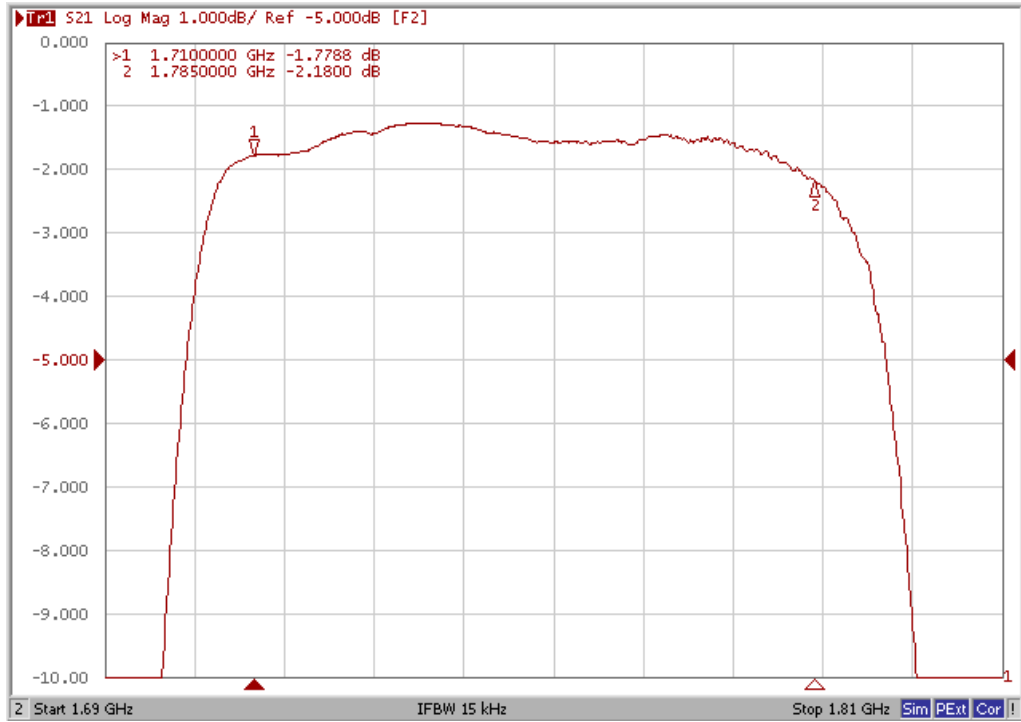
□ Frequency Characteristics

Frequency Response

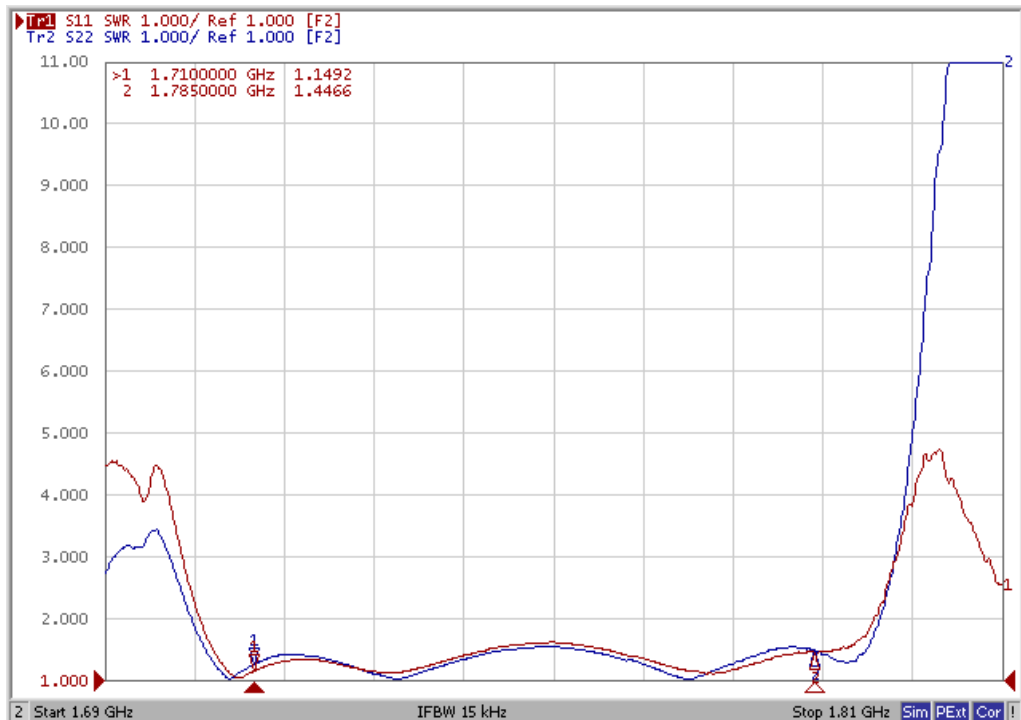




Ripple



VSWR



Smith Chart

