



Total Solution Provider in Saw Device

SF-1950T2-C13

Band 1, RF-Tx SAW Filter
Revision 0: September 2013



- Electrical Characteristics
 - Package Dimensions
 - Testing Environment
 - Frequency Characteristics
-

SAWNICS Inc.

460 Cheonheung-ri, Seonggeo-eup, Cheonan-si, Chungcheongnam-do, 330-836 / Korea.
Tel: +82 41 550 9372 / Fax: +82 41 550 9399 / www.sawnics.com

□ Electrical Characteristics

Maximum Ratings

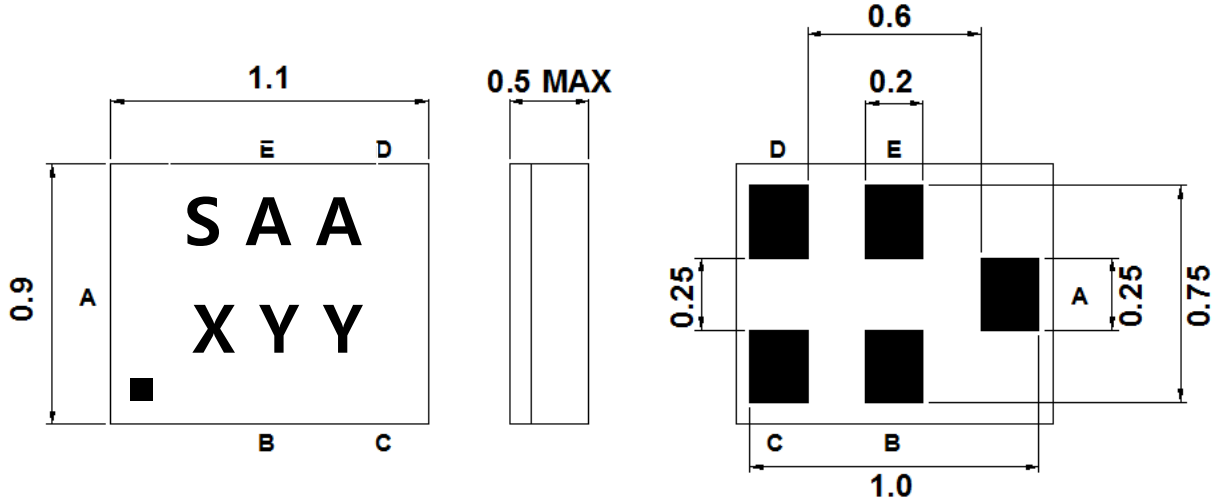
Parameters Description	Unit	Minimum	Typical	Maximum
Operating Temperature Range	°C	-30	-	+85
Storage Temperature Range	°C	-40	-	+85
Maximum DC Voltage	V	-	-	-
Maximum Input Power	dBm	-	-	10
Source Impedance (single ended)	Ω	-	50	-
Load Impedance (single ended)	Ω	-	50	-
Package type & size	C13			
Length x Width	mm ²	-	1.1 x 0.9	-
Height	mm	-	-	0.5

Electrical Specification

Parameters Description	Unit	Minimum	Typical	Maximum
Center Frequency (Fo)	MHz	-	1950	-
Insertion Loss within 1920.0 ~ 1980.0 MHz	dB	-	1.8	2.3
Amplitude Ripple within 1920.0 ~ 1980.0 MHz	dB _{p-p}	-	0.8	1.8
VSWR within 1920.0 ~ 1980.0 MHz	-	-	1.8	2.2
Attenuation:				
DC ~ 1577.0 MHz	dB	30	34	-
1577.0 ~ 1880.0 MHz	dB	22	29	-
2110.0 ~ 2170.0 MHz	dB	35	38	-
2500.0 ~ 3120.0 MHz	dB	28	33	-
3840.0 ~ 3960.0 MHz	dB	25	29	-
5760.0 ~ 5940.0 MHz	dB	15	22	-

Notes : (1) No Matching Network .

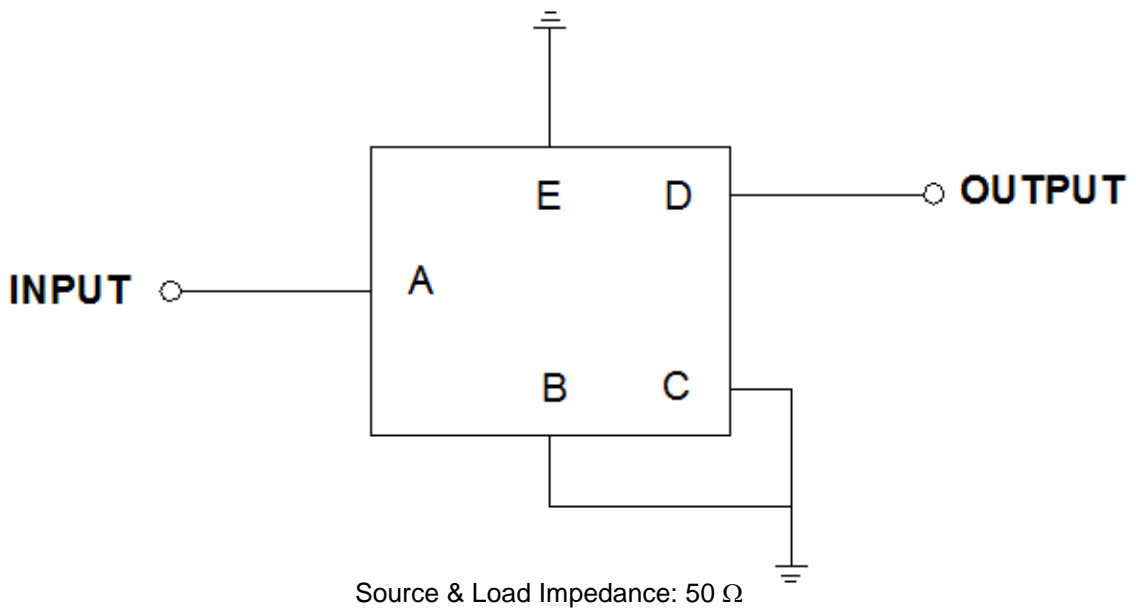
Package Dimensions



Marking Descriptions	
S	SAWNICS
AA	Series Number
X	Date Code(Year+Month)
YY	Lot No

Pin Description	
B, C, E	Ground
A	Input
D	Output

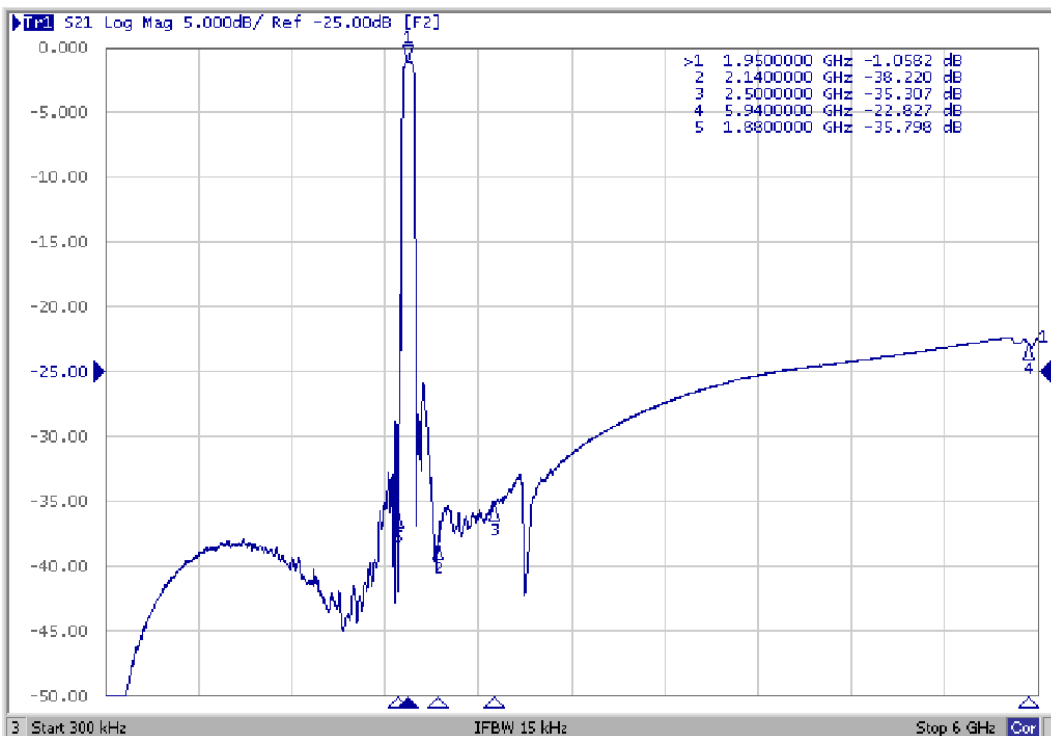
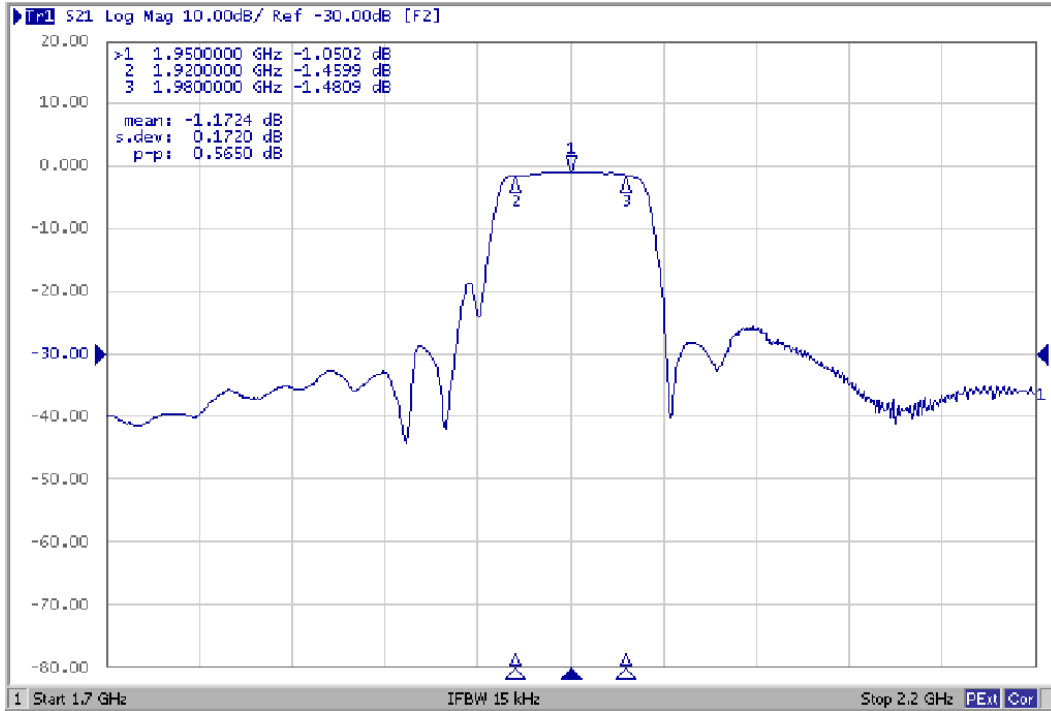
Testing Environment





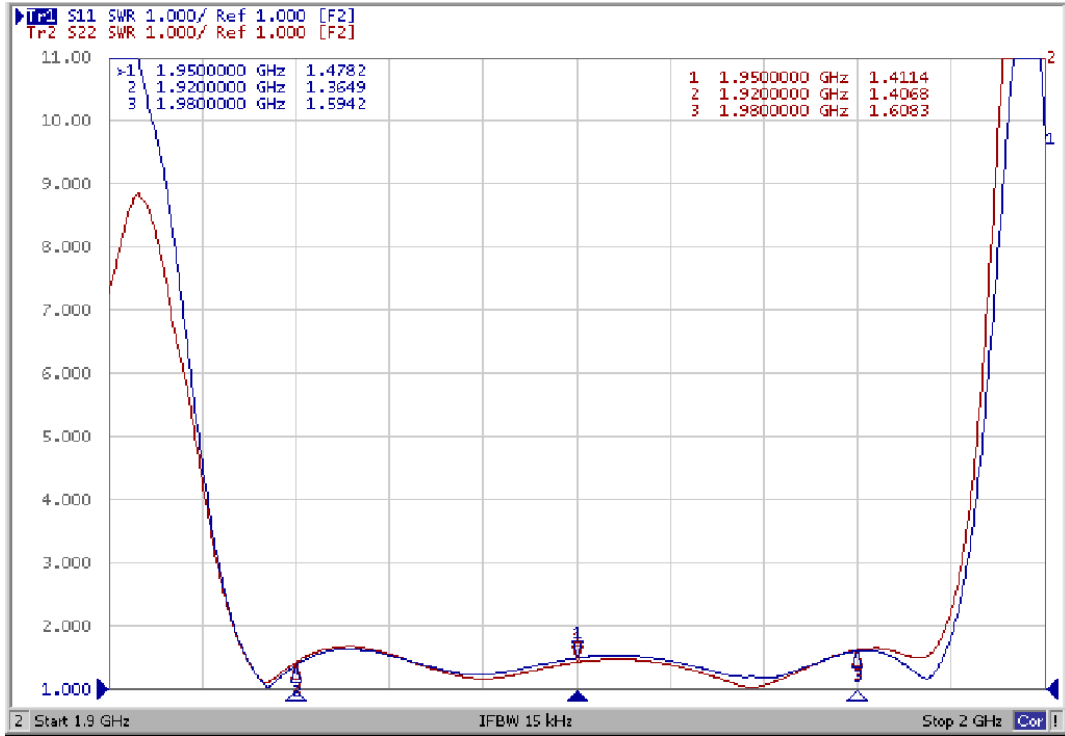
□ Frequency Characteristics

Frequency Response

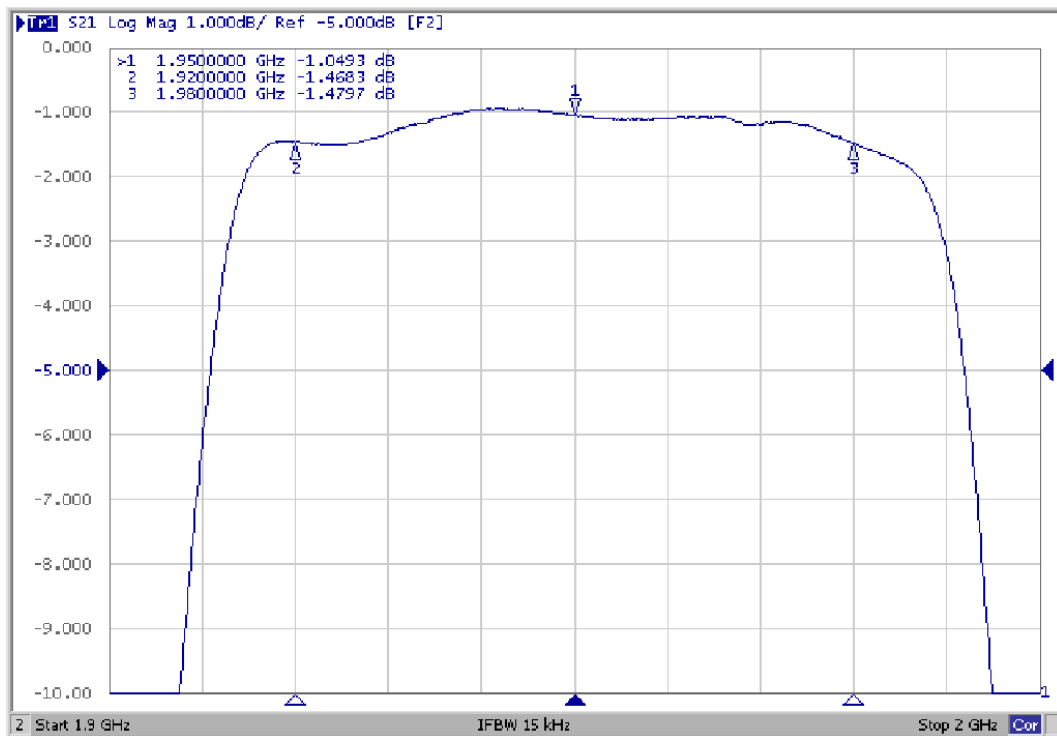




VSWR



Ripple



Smith Chart

