

Crystal Unit HC-49/U

Features

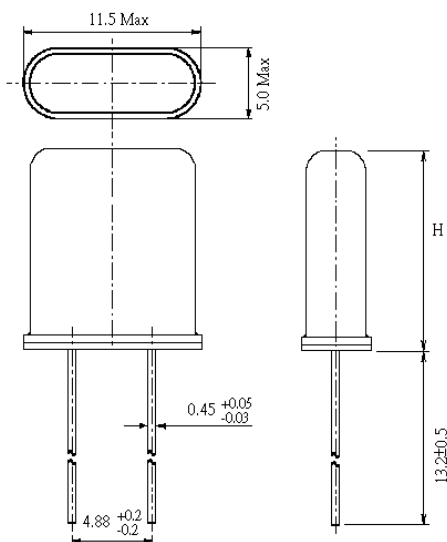
- Precise performance (tight tolerance and stability available)
- Excellent heat resistance and environmental characteristics.
- High mechanical shock resistance
- Suitable for reflow soldering
- Automatic mount by tape and reel

Specifications

HC49/U-SERIES	FUNDAMENTAL ; 3 RD OT , 5 TH OT	
Frequency	1,5 MHz – 180MHz	
Load capacitance (CL)	8 pF – 32 pF, series	
Frequency tolerance (@25°C)	±10 ppm ... ±50 ppm	
Frequency stability	±10 ppm ... ±50 ppm	
Operating temperature range	-40°C - +85°C	
ESR	25-500 Ω max.	
Dimension	Refer to Drawing	

- Please consult us for customized specifications.

Dimension



TYPE	H(Max)
HC-49/U	13.5
HC-49/T	11.3
HC-49/T3	9.5